

BAULMANN

DUNE

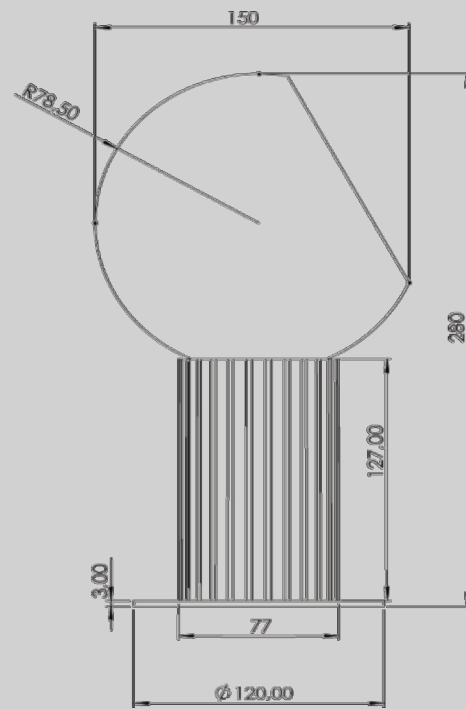


*WERNER AISSLINGER DESIGNS NEW DUNE
LIGHTING SERIES FOR BAULMANN LEUCHTEN*

The renowned designer and architect Werner Aisslinger presents the new Dune lighting series for the German company Baulmann Leuchten. The Dune luminaires are made of quartz sand using a new 3D printing process. Consisting of interlocking, morphing spheres they can be used as suspension, floor, table and wall luminaires in all kinds of architectures and interiors.

The rough surface structure of the sand 3D print makes the luminaires pleasant to the touch and, above all, compatible with spaces that have concrete walls or sustainable clay walls. The Dune series is a hybrid of atmospheric luminaires and spotlights that can warmly illuminate rooms with targeted light.

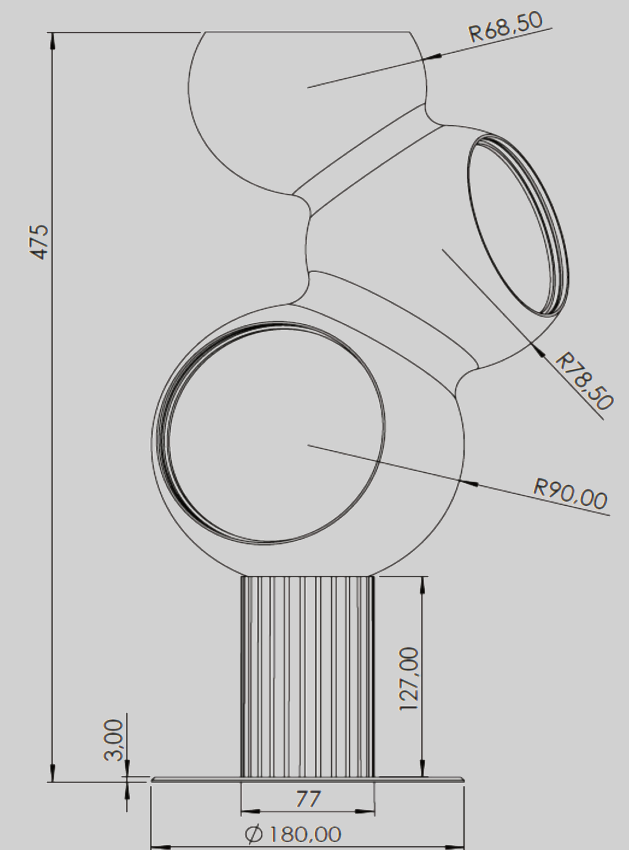
"Inspired by Pierre Cardin's Bubble House in Theoule-sur-Mer in France, with Dune we have tried to symbiotically bring together lighting quality with organic forms and shapes reduced to elementary geometries and a new sustainable 3D printing process - all in all: pure innovation and friendly design ... " says Werner Aisslinger.



design: Studio Aisslinger

16.001.89 - table lamp T1

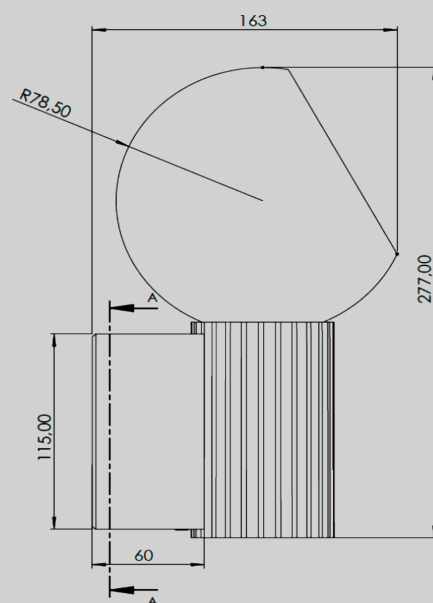
Surface:	dark-grey textured sand	table lamp
Lamp socket:	1 x E14 for LED bulb	DUNE
Height:	280 mm	1 x E14 for LED bulb
Width:	150 mm	spherical reflector rotatable, dia. ca. 150 mm
Voltage:	230 V	material: sand in natural grey finish
Protection class:	II	with opal acrylic diffuser
Safety norm:	CE	height ca. 280 mm
EEC-Light sources:	A++-E	black supply cable with on/off switch



design: Studio Aisslinger

16.003.89 - table lamp T3

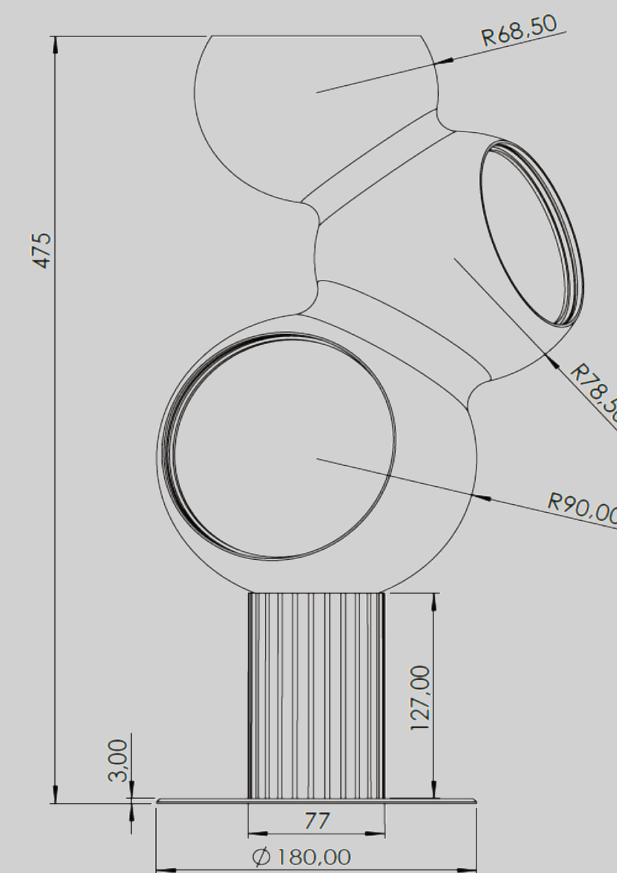
Surface:	dark-grey textured sand	table lamp
Lamp socket:	3 x E14 for LED bulb	DUNE
Height:	475 mm	3 x E14 for LED bulb
Width:	max. 250 mm	spherical reflectors max dia. ca. 180 mm
Voltage:	230 V	material: sand in natural grey finish
Protection class:	II	with opal acrylic diffusers
Safety norm:	CE	height ca. 475 mm
EEC-Light sources:	A++-E	black supply cable with on/off switch



design: Studio Aisslinger

66.001.89 - wall lamp W1

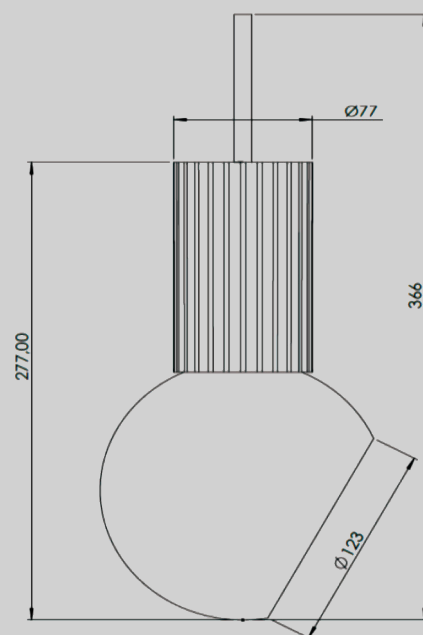
Surface:	<i>dark-grey textured sand</i>	wall lamp
Lamp socket:	1 x E14 for LED bulb	DUNE
Height:	280 mm	1 x E14 for LED bulb
Width:	150 mm	spherical reflector rotatable, dia. ca. 150 mm
Voltage:	230 V	material: sand in natural grey finish
Protection class:	II	with opal acrylic diffuser
Safety norm:	CE	height ca. 280 mm
EEC-Light sources:	A++-E	black supply cable with on/off switch



design: Studio Aisslinger

66.003.89 - wall lamp W3

Surface:	<i>dark-grey textured sand</i>	wall lamp
Lamp socket:	3 x E14 for LED bulb	DUNE
Height:	475 mm	3 x E14 for LED bulb
Width:	max. 250 mm	spherical reflectors max dia. ca. 180 mm
Voltage:	230 V	material: sand in natural grey finish
Protection class:	II	with opal acrylic diffusers
Safety norm:	CE	height ca. 475 mm
EEC-Light sources:	A++-E	black supply cable with on/off switch

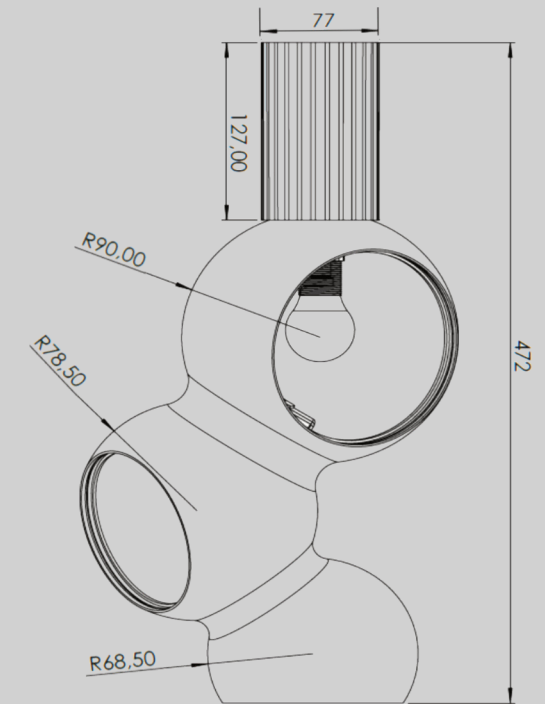


design: Studio Aisslinger

36.001.89 - pendant luminaire S1

Surface:	dark-grey textured sand	pendant luminaire
Lamp socket:	1 xE14for LEDbulb	DUNE
Height:	280mm	material: sand in natural greyfinish
Width:	150mm	with opal acrylicdiffusor
Voltage Protection class:	230V	height ca. 280mm
Safety nonn:	II	black supply cable with ceiling canopy
	CE	
EEC-Light sources:	A++-E	



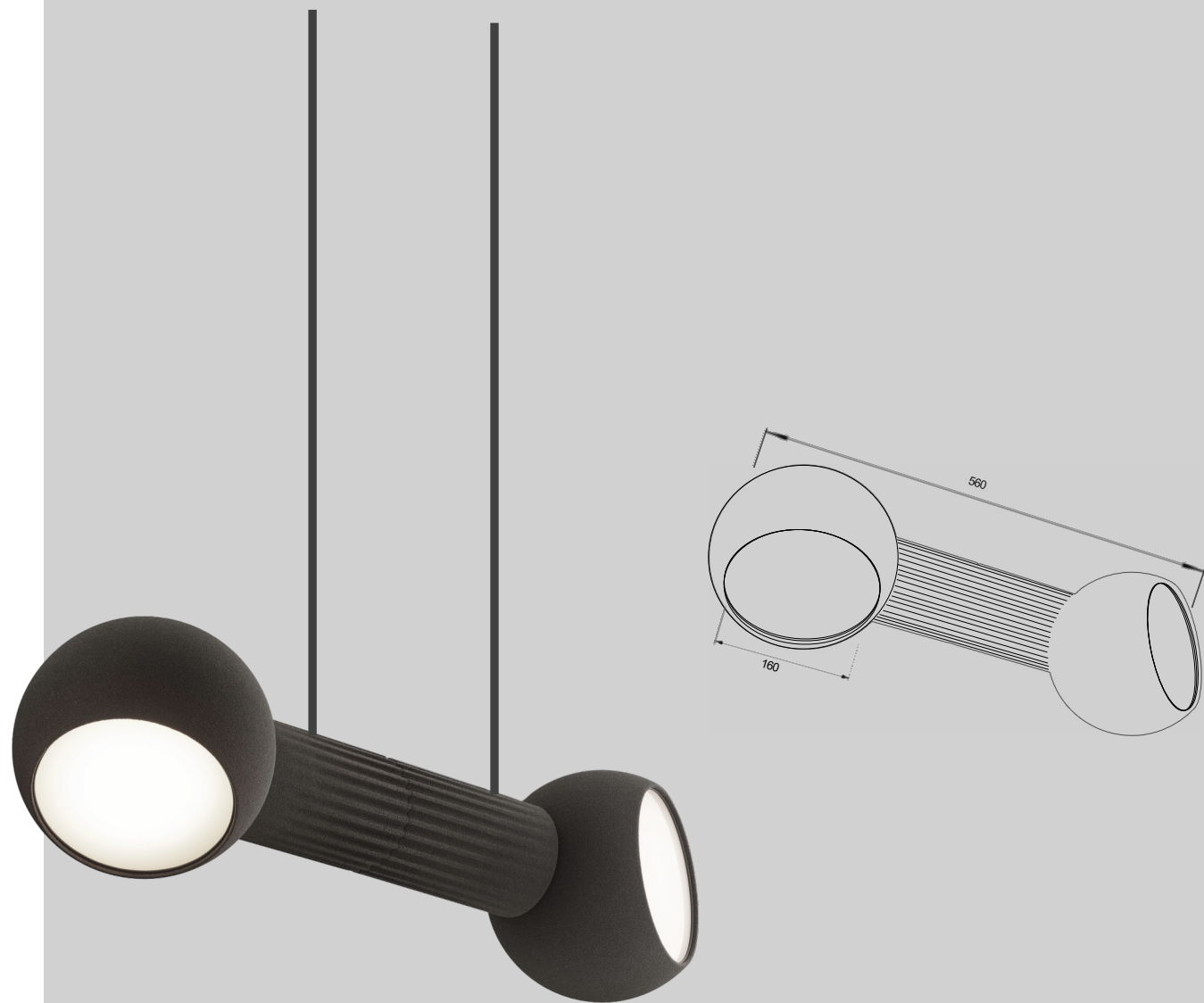


design: Studio Aisslinger

36.003.89 - pendant luminaire S3

Surface: **dark-grey textured sand**
 Lamp socket: 3 x E14 for LED bulb
 Height: 472 mm
 Width: max. 250 mm
 Voltage: 230 V
 Protection class: II
 Safety norm: CE
 EEC-Light sources: A++-E

pendant luminaire
DUNE
 3 x E14 for LED bulb
 spherical reflectors max dia. ca. 180mm
material: sand in natural grey finish
 with opal acrylic diffusers
 height ca. 472mm
 black pendant cable with ceiling canopy

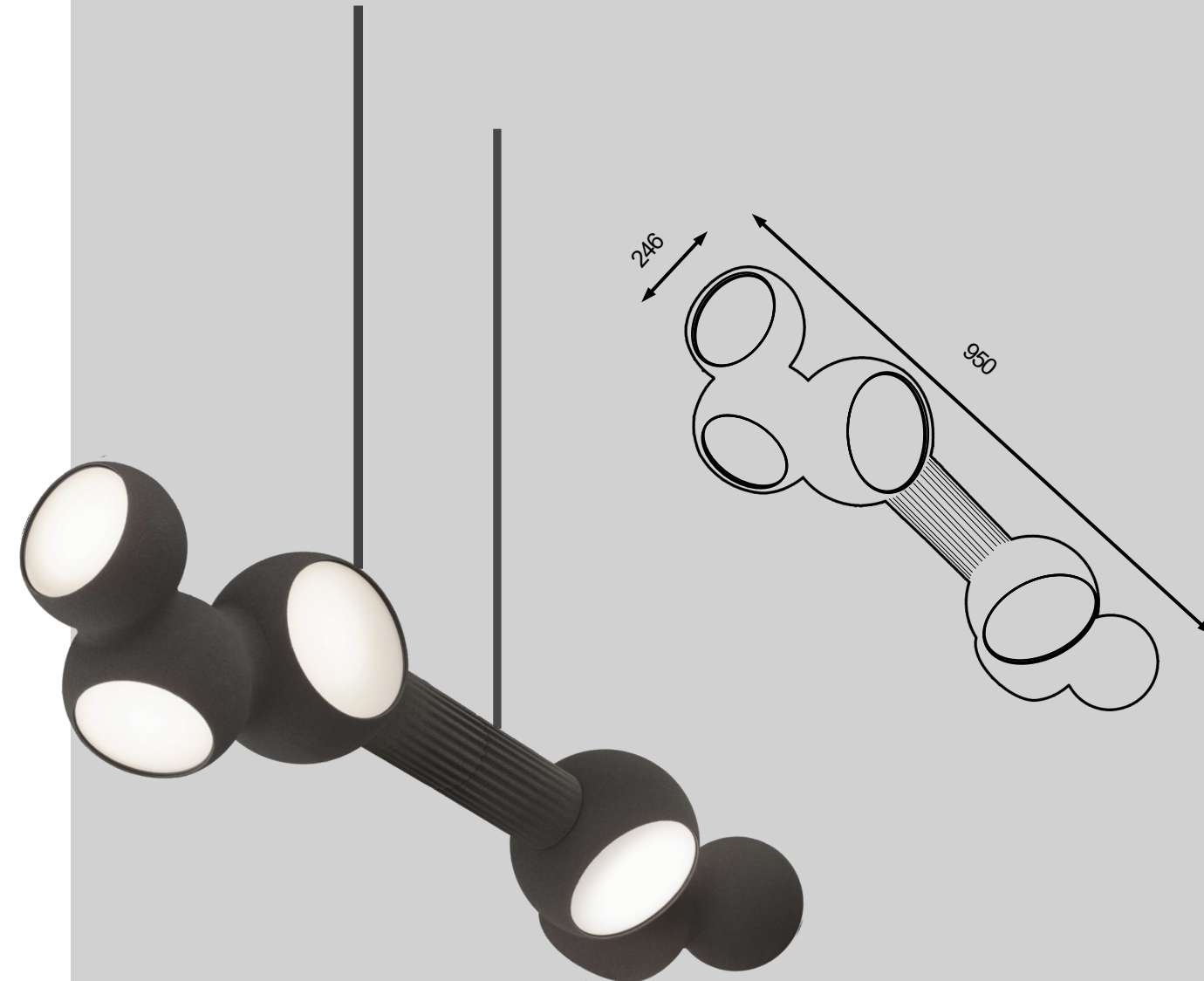


design: Studio Aisslinger

36.002.89 - pendant luminaire DS2

Surface: *dark-grey textured sand*
Lamp socket: 2 x E14 for LED bulb
Height: 160 mm
Width: 560 mm
Voltage: 230 V
Protection class: II
Safety norm: CE
EEC-Light sources: A++-E

pendant luminaire
DUNE
 2 x E14 for LED bulb
 spherical reflectors max dia. ca. 160mm
material: sand in natural grey finish
 with opal acrylic diffusers
 width ca. 560mm
 black pendant cables with ceiling canopy



design: Studio Aisslinger

36.006.89 - pendant luminaire DS6

Surface: *dark-grey textured sand*
Lamp socket: 6 x E14 for LED bulb
Height: max. 250 mm
Width: 950 mm
Voltage: 230 V
Protection class: II
Safety norm: CE
EEC-Light sources: A++-E

pendant luminaire
DUNE
 6 x E14 for LED bulb
 spherical reflectors max dia. ca. 180mm
material: sand in natural grey finish
 with opal acrylic diffusers
 width ca. 950mm
 black pendant cables with ceiling canopy

BAULMANN

BAULMANN

BAULMANN LEUCHTEN GMBH | Selscheder Weg24 | 59846 Sundern | Germany
Phone +49(0)2933847-0 | Fax+49(0)2933847-100 | E-Mail: info@baulmann.com | www.baulmann.com