

# BAULMANN

# DUNE

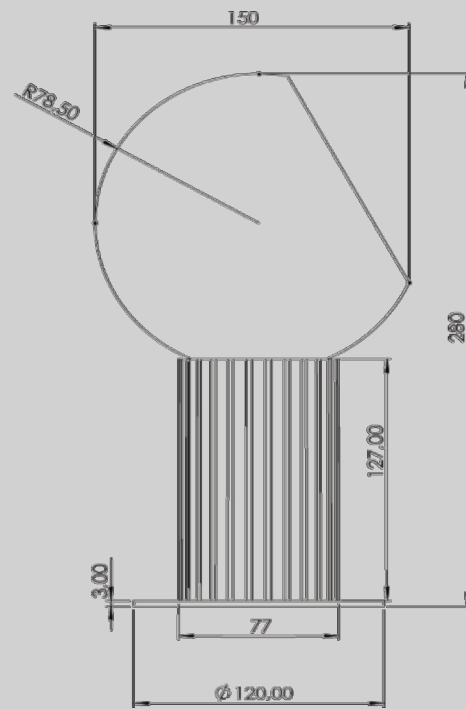


*WERNER AISSLINGER DESIGNS NEW DUNE  
LIGHTING SERIES FOR BAULMANN LEUCHTEN*

*The renowned designer and architect Werner Aisslinger presents the new Dune lighting series for the German company Baulmann Leuchten. The Dune luminaires are made of quartz sand using a new 3D printing process. Consisting of interlocking, morphing spheres they can be used as suspension, floor, table and wall luminaires in all kinds of architectures and interiors.*

*The rough surface structure of the sand 3D print makes the luminaires pleasant to the touch and, above all, compatible with spaces that have concrete walls or sustainable clay walls. The Dune series is a hybrid of atmospheric luminaires and spotlights that can warmly illuminate rooms with targeted light.*

*"Inspired by Pierre Cardin's Bubble House in Theoule-sur-Mer in France, with Dune we have tried to symbiotically bring together lighting quality with organic forms and shapes reduced to elementary geometries and a new sustainable 3D printing process - all in all: pure innovation and friendly design ... " says Werner Aisslinger.*

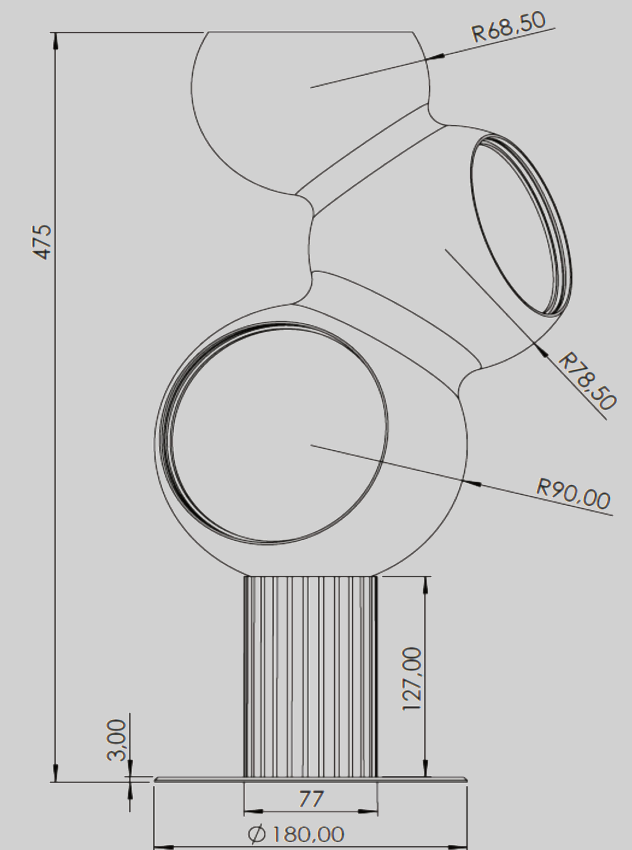


design: Studio Aisslinger

## 16.001.89 - table lamp T1

**Surface:** *dark-grey textured sand*  
**Lamp socket:** 1 x E14 for LED bulb  
**Height:** 280 mm  
**Width:** 150 mm  
**Voltage:** 230 V  
**Protection class:** II  
**Safety norm:** CE  
**EEC-Light sources:** A++-E

table lamp  
**DUNE**  
 1 x E14 for LED bulb  
 spherical reflector rotatable, dia. ca. 150 mm  
**material: sand in natural grey finish**  
 with opal acrylic diffuser  
 height ca. 280 mm  
 black supply cable with on/off switch

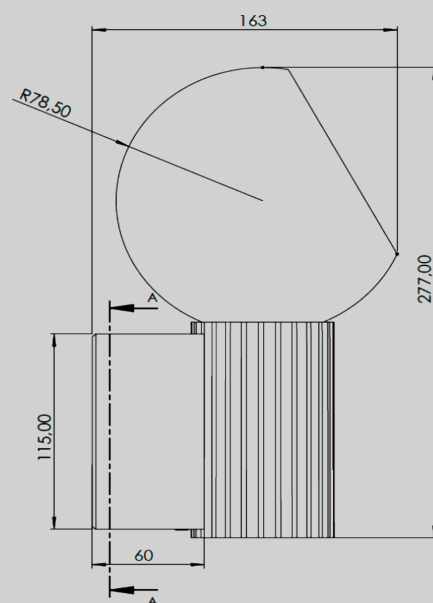


design: Studio Aisslinger

## 16.003.89 - table lamp T3

**Surface:** *dark-grey textured sand*  
**Lamp socket:** 3 x E14 for LED bulb  
**Height:** 475 mm  
**Width:** max. 250 mm  
**Voltage:** 230 V  
**Protection class:** II  
**Safety norm:** CE  
**EEC-Light sources:** A++-E

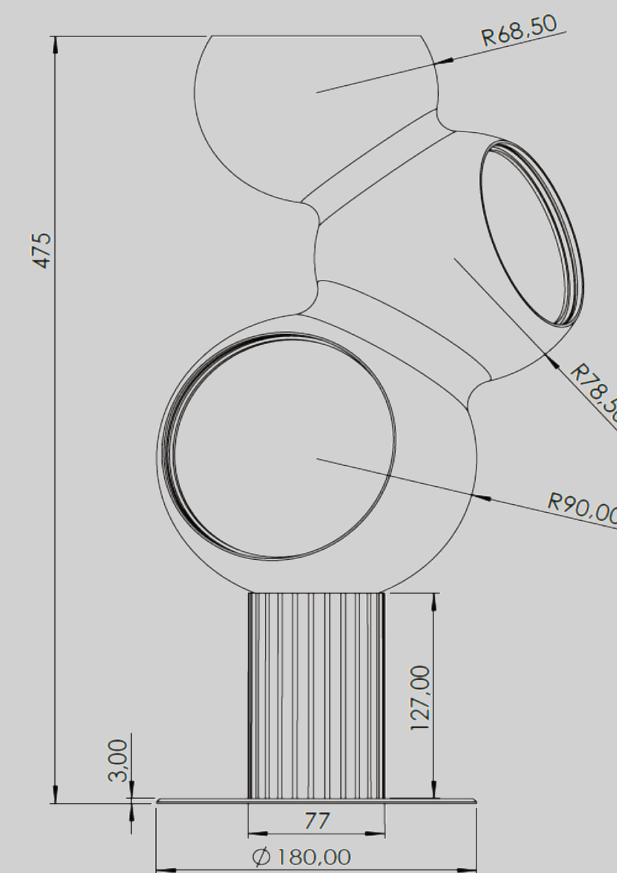
table lamp  
**DUNE**  
 3 x E14 for LED bulb  
 spherical reflectors max dia. ca. 180 mm  
**material: sand in natural grey finish**  
 with opal acrylic diffusers  
 height ca. 475 mm  
 black supply cable with on/off switch



design: Studio Aisslinger

## 66.001.89 - wall lamp W1

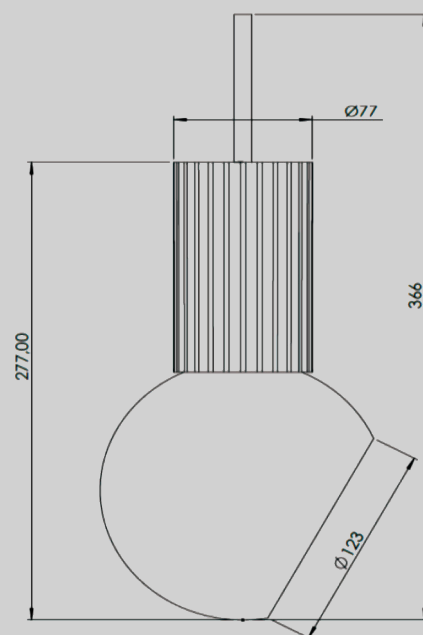
<b>Surface:</b>	<b>dark-grey textured sand</b>	wall lamp
<b>Lamp socket:</b>	1 x E14 for LED bulb	<b>DUNE</b>
<b>Height:</b>	280 mm	1 x E14 for LED bulb
<b>Width:</b>	150 mm	spherical reflector rotatable, dia. ca. 150 mm
<b>Voltage:</b>	230 V	<b>material: sand in natural grey finish</b>
<b>Protection class:</b>	II	with opal acrylic diffuser
<b>Safety norm:</b>	CE	height ca. 280 mm
<b>EEC-Light sources:</b>	A++-E	black supply cable with on/off switch



design: Studio Aisslinger

## 66.003.89 - wall lamp W3

<b>Surface:</b>	<b>dark-grey textured sand</b>	wall lamp
<b>Lamp socket:</b>	3 x E14 for LED bulb	<b>DUNE</b>
<b>Height:</b>	475 mm	3 x E14 for LED bulb
<b>Width:</b>	max. 250 mm	spherical reflectors max dia. ca. 180 mm
<b>Voltage:</b>	230 V	<b>material: sand in natural grey finish</b>
<b>Protection class:</b>	II	with opal acrylic diffusers
<b>Safety norm:</b>	CE	height ca. 475 mm
<b>EEC-Light sources:</b>	A++-E	black supply cable with on/off switch

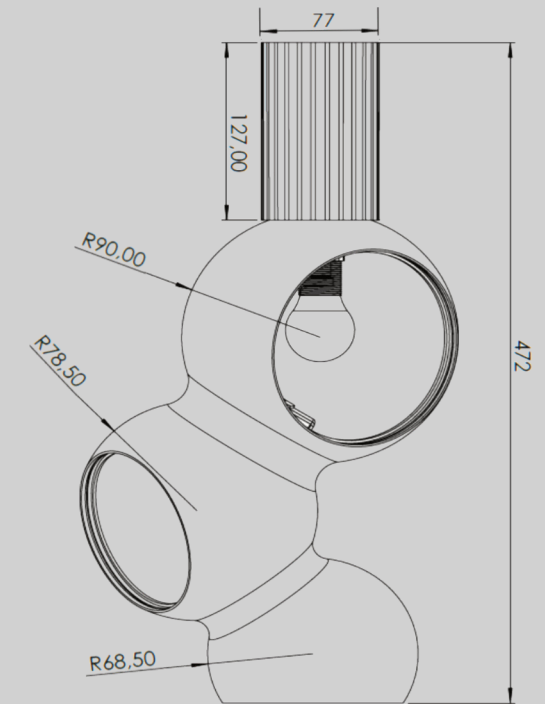


design: Studio Aisslinger

## 36.001.89 - pendant luminaire S1

<b>Surface:</b>	<b>dark-grey textured sand</b>	pendant luminaire
<b>Lamp socket:</b>	1 xE14for LEDbulb	<b>DUNE</b>
<b>Height:</b>	280mm	<b>material: sand in natural greyfinish</b>
<b>Width:</b>	150mm	with opal acrylicdiffusor
<b>Voltage Protection class:</b>	230V	height ca. 280mm
<b>Safety nonn:</b>	II	black supply cable with ceiling canopy
	CE	
<b>EEC-Light sources:</b>	A++-E	



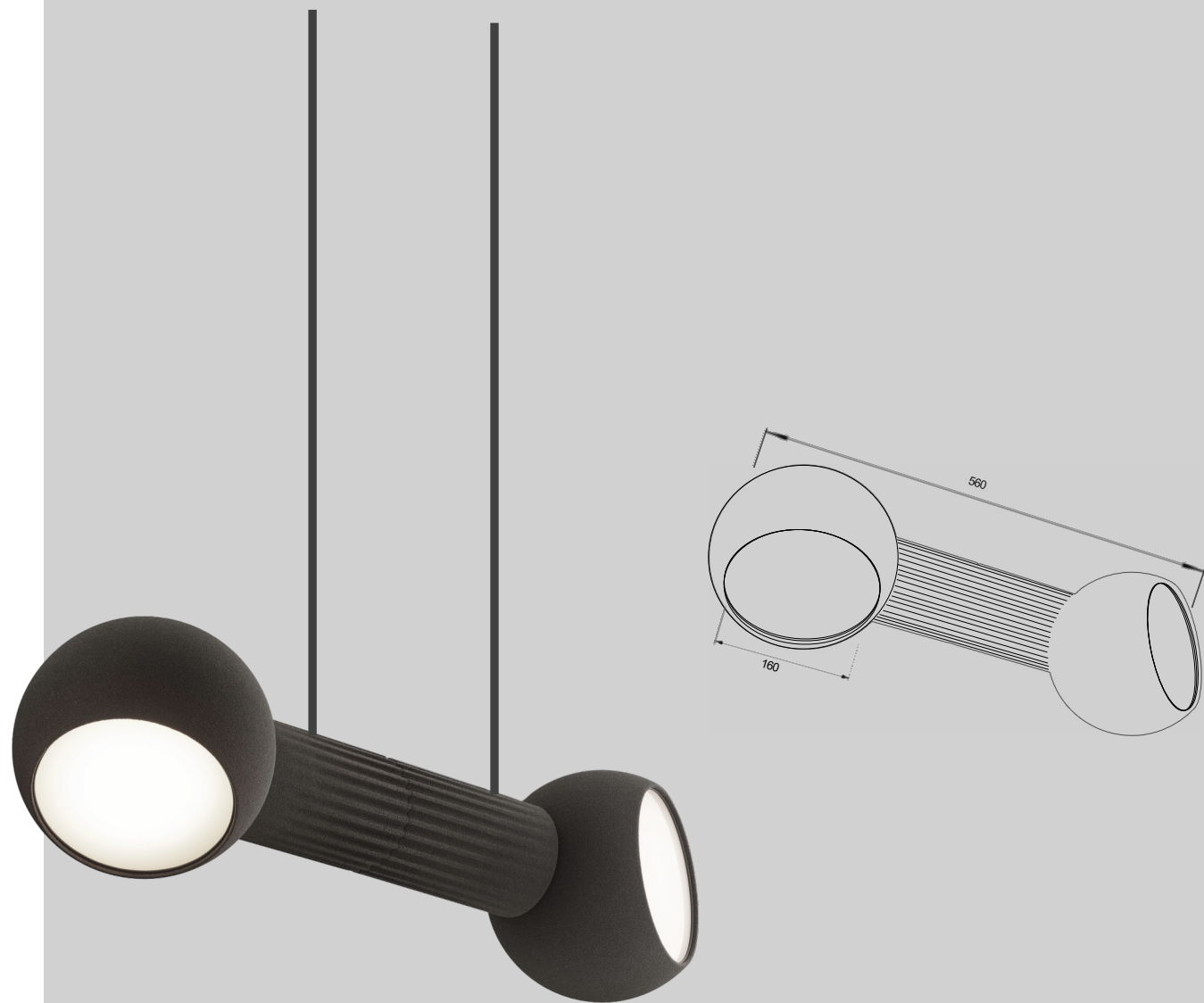


design: Studio Aisslinger

## 36.003.89 - pendant luminaire S3

Surface: **dark-grey textured sand**  
 Lamp socket: 3 x E14 for LED bulb  
 Height: 472 mm  
 Width: max. 250 mm  
 Voltage: 230 V  
 Protection class: II  
 Safety norm: CE  
 EEC-Light sources: A++-E

pendant luminaire  
**DUNE**  
 3 x E14 for LED bulb  
 spherical reflectors max dia. ca. 180mm  
**material: sand in natural grey finish**  
 with opal acrylic diffusers  
 height ca. 472mm  
 black pendant cable with ceiling canopy

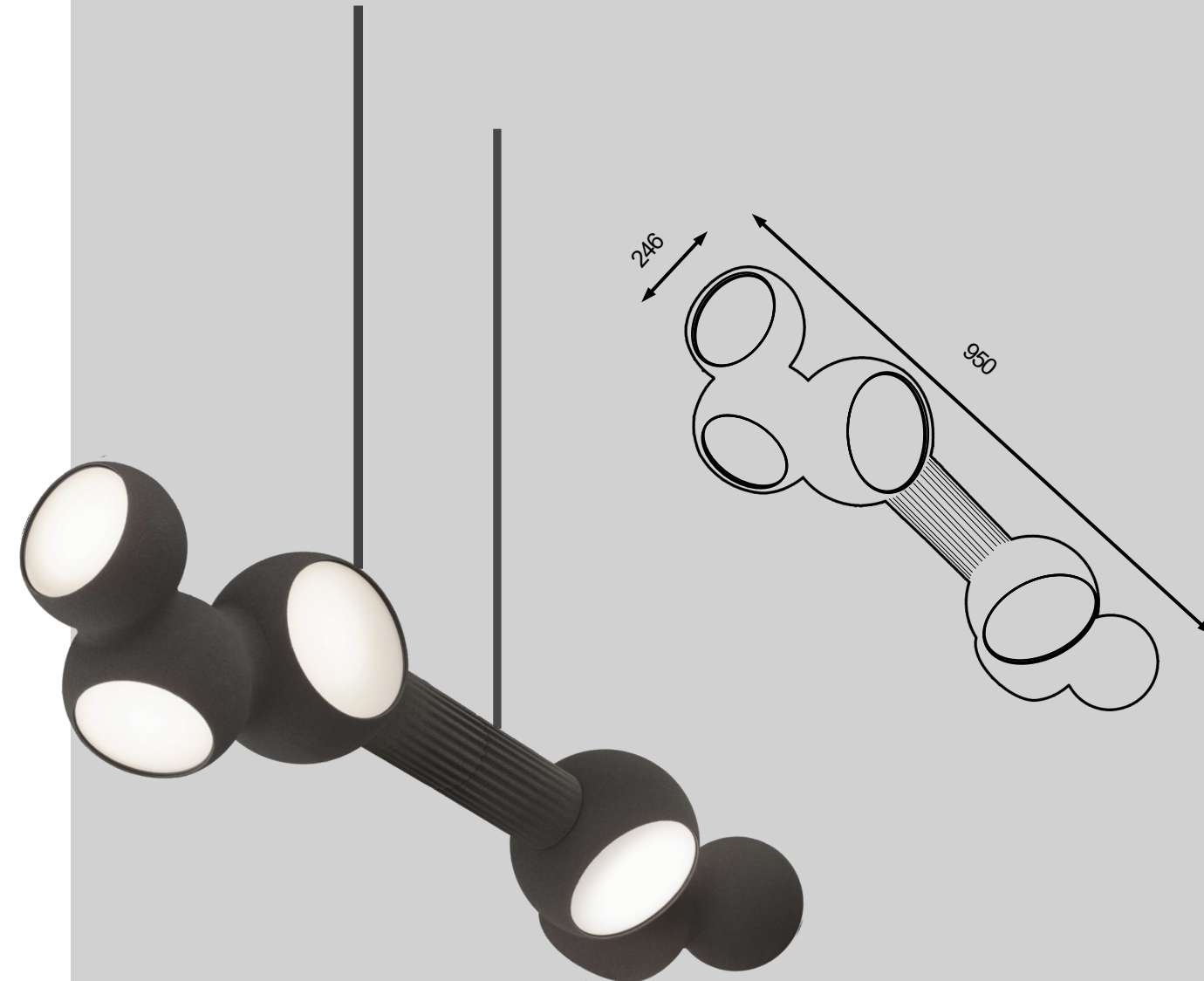


design: Studio Aisslinger

## 36.002.89 - pendant luminaire DS2

**Surface:** *dark-grey textured sand*  
**Lamp socket:** 2 x E14 for LED bulb  
**Height:** 160 mm  
**Width:** 560 mm  
**Voltage:** 230 V  
**Protection class:** II  
**Safety norm:** CE  
**EEC-Light sources:** A++-E

pendant luminaire  
**DUNE**  
 2 x E14 for LED bulb  
 spherical reflectors max dia. ca. 160mm  
**material: sand in natural grey finish**  
 with opal acrylic diffusers  
 width ca. 560mm  
 black pendant cables with ceiling canopy



design: Studio Aisslinger

## 36.006.89 - pendant luminaire DS6

**Surface:** *dark-grey textured sand*  
**Lamp socket:** 6 x E14 for LED bulb  
**Height:** max. 250 mm  
**Width:** 950 mm  
**Voltage:** 230 V  
**Protection class:** II  
**Safety norm:** CE  
**EEC-Light sources:** A++-E

pendant luminaire  
**DUNE**  
 6 x E14 for LED bulb  
 spherical reflectors max dia. ca. 180mm  
**material: sand in natural grey finish**  
 with opal acrylic diffusers  
 width ca. 950mm  
 black pendant cables with ceiling canopy

BAULMANN

**BAULMANN**

BAULMANN LEUCHTEN GMBH | Selscheder Weg24 | 59846 Sundern | Germany  
Phone +49(0)2933847-0 | Fax+49(0)2933847-100 | E-Mail: [info@baulmann.com](mailto:info@baulmann.com) | [www.baulmann.com](http://www.baulmann.com)