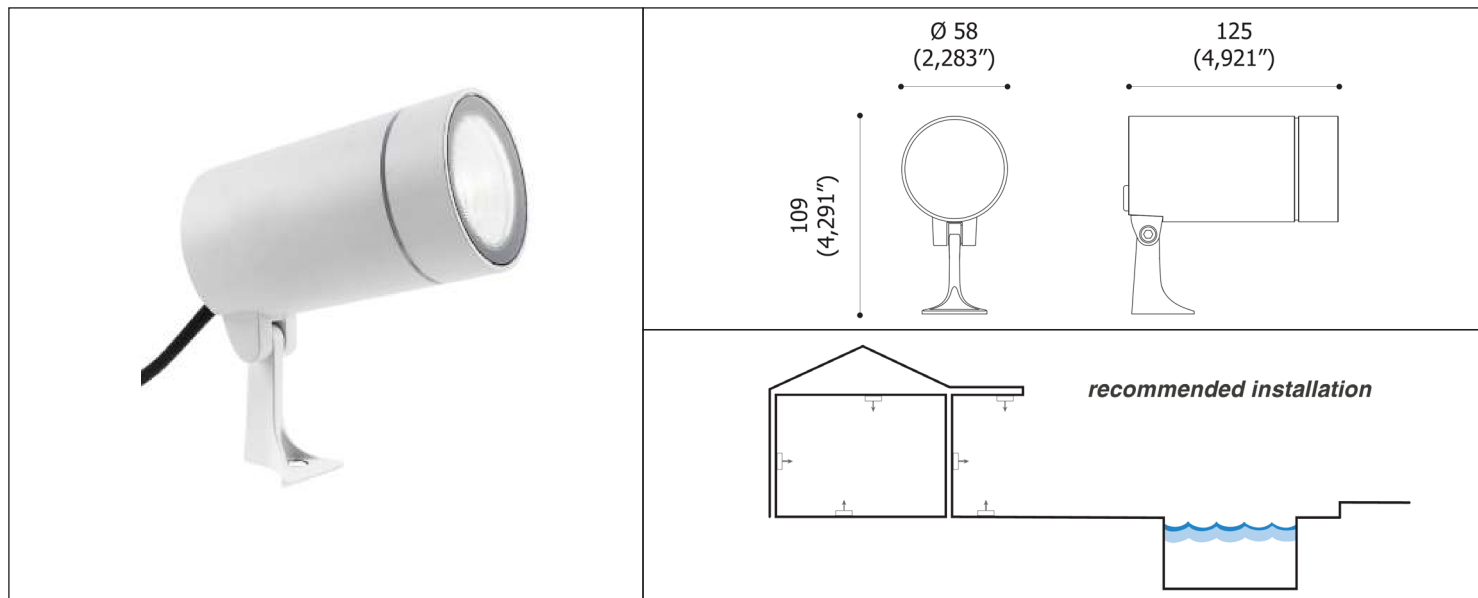


AZIMUT 58 Monochromatic

DATA-SHEET



PRODUCT DESCRIPTION:

Professional compact floodlights for direct and indirect lighting suitable for indoor and outdoor installations.
Body Anticorodal aluminium alloy EN AW-6060 and tempered transparent flat glass.
UV resistance of all materials.

TECHNICALS FEATURES:

Materials	Anticorodal aluminium alloy EN AW-6060 ; Stainless steel inox AISI 316L ; tempered transparent flat glass
Front Finishes	White sablé ; Black sablé ; Copper ; Red durmast ; Light durmast
Input rated Voltage	110-240 Vac mains voltage
Power	12 W
Light Source	COB LED
Color Temperature	3000K ; 4000K
Ra	> 80
Chromatic Selection	Mac-Adam 3-step
Lifetime	> 50000 h (TM21)
Optics	narrow beam 15° ; medium beam 25° ; wide beam 45°
Tc metal body	< 90 °C
Ta operating temperature	- 30 ÷ 50 °C
Ts surface temperature	≤ 65 °C
Functions	On/Off
Cable	Cable H05RN-F 3G0,75 3x0,75 mm ² (Brown, Blue, Yellow/green) Ø 7 mm L. 1m
Weigth	490 g
Installations	Surface (wall, floor, ceiling)
Norms	EN60598-1 ; EN60598-2 and its parts ; EN61347-1 and its parts; EN55015 ; EN61000-3 and its parts ; EN61547



NOTE:

Photometric data available at www.aldabra.it

AZIMUT 58 Monochromatic DATA-SHEET

GENERAL FEATURES:

	Power (W)	Power Supply
AZI.02.XXXXX.X	12	110-240 Vac mains voltage

OPTICAL FEATURES:

AZI.XX. M XXXX.X	Narrow beam 15°
AZI.XX. F XXXX.X	Medium beam 25°
AZI.XX. W XXXX.X	Wide beam 45°

LED FEATURES:

	COB LED	Lm*	Ra	Chromatic selection
AZI.XX.X 30 XX.X	Warm white 3000K		>80	MacAdam 3-step
AZI.XX.X 40 XX.X	Neutral white 4000K		>80	MacAdam 3-step

*delivered luminous flux

FINISHES FEATURES:

AZI.XX.XXX W2 .X	White sablé
AZI.XX.XXX B2 .X	Black sablé
AZI.XX.XXX M1 .X	Copper
AZI.XX.XXX C1 .X	Red durmast
AZI.XX.XXX C2 .X	Light durmast

GENERAL INFORMATIONS:

Kindly note that atmospheric agents (such as lightnings, etc) , electrostatics charges or disturbances on the installation not caused by Aldabra lighting fixtures and Led drivers indicated by Aldabra itself, may cause damages on the fixtures. It is necessary that the electrical installation where the LED lighting fittings and their power supply units and control gears are installed must be equipped with proper devices for the protection and suppression of transient phenomena (SPD, isolation transformer, etc...). Such devices must be coordinated with the other protections of the installation; on this theme, it's necessary to refer to the electrical installations norms which are in force in each country.

AZIMUT 58 Monochromatic

DATA-SHEET

ACCESSORIES:

ACC.0270.0

black anodized aluminium glare cowl for Azimut 58

