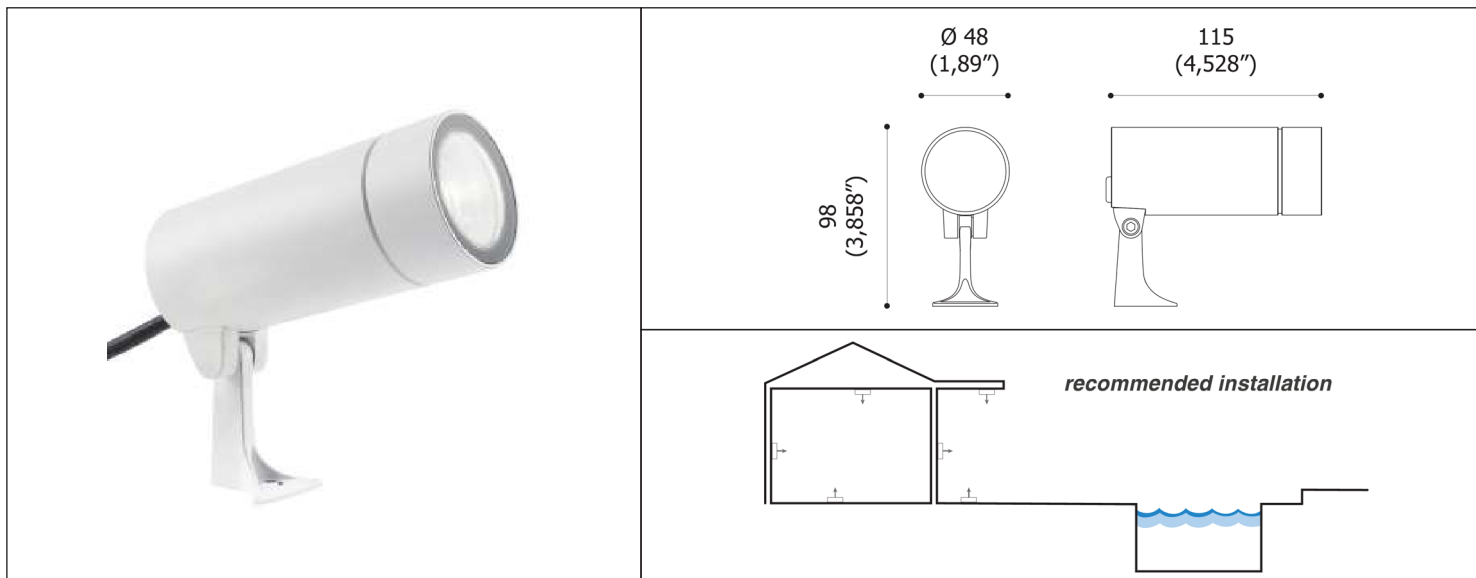


## AZIMUT 48 Monochromatic

### DATA-SHEET



#### PRODUCT DESCRIPTION:

Professional compact floodlights for direct and indirect lighting suitable for indoor and outdoor installations.  
Body Anticorodal aluminium alloy EN AW-6060 and tempered transparent flat glass.  
UV resistance of all materials.

#### TECHNICALS FEATURES:

<b>Materials</b>	Anticorodal aluminium alloy EN AW-6060 ; Stainless steel inox AISI 316L ; tempered transparent flat glass
<b>Front Finishes</b>	White sablé ; Black sablé ; Copper ; Red durmast ; Light durmast
<b>Input rated Voltage</b>	110-240 Vac mains voltage
<b>Power</b>	9 W ; 3 W*
<b>Light Source</b>	High Power LED, Power LED*
<b>Color Temperature</b>	3000K ; 4000K
<b>Ra</b>	> 80
<b>Chromatic Selection</b>	Mac-Adam 3-step
<b>Lifetime</b>	> 50000 h (TM21)
<b>Optics</b>	spot beam 4° ; narrow beam 10° ; medium beam 30°
<b>Tc metal body</b>	< 90 °C
<b>Ta operating temperature</b>	- 30 ÷ 50 °C
<b>Ts surface temperature</b>	≤ 65 °C
<b>Functions</b>	On/Off
<b>Cable</b>	Cable H05RN-F 3G0,75 3x0,75 mm <sup>2</sup> (Brown, Blue, Yellow/green) Ø 7 mm L. 1m
<b>Weigth</b>	390 g
<b>Installations</b>	Surface (wall, floor, ceiling)
<b>Norms</b>	EN60598-1 ; EN60598-2 and its parts ; EN61347-1 and its parts; EN55015 ; EN61000-3 and its parts ; EN61547

(\*spot beam version)



#### NOTE:

Photometric data available at [www.aldabra.it](http://www.aldabra.it)

## AZIMUT 48 Monochromatic DATA-SHEET

### GENERAL FEATURES:

	Power (W)	Power Supply
<b>AZI.01.XXXXX.X</b>	9	110-240 Vac mains voltage
<b>AZI.01.XXXXX.X</b>	3 (spot beam version)	110-240 Vac mains voltage

### OPTICAL FEATURES:

AZI.XX. <b>N</b> XXXX.X	Spot beam 4°
AZI.XX. <b>M</b> XXXX.X	Narrow beam 10°
AZI.XX. <b>F</b> XXXX.X	Medium beam 30°

### LED FEATURES:

	High Power LED/Power LED	Lm*	Ra	Chromatic selection
AZI.XX.X <b>30</b> XX.X	Warm white 3000K		>80	MacAdam 3-step
AZI.XX.X <b>40</b> XX.X	Neutral white 4000K		>80	MacAdam 3-step

\*delivered luminous flux

### FINISHES FEATURES:

AZI.XX.XXX <b>W2</b> .X	White sablé
AZI.XX.XXX <b>B2</b> .X	Black sablé
AZI.XX.XXX <b>M1</b> .X	Copper
AZI.XX.XXX <b>C1</b> .X	Red durmast
AZI.XX.XXX <b>C2</b> .X	Light durmast

### GENERAL INFORMATIONS:

Kindly note that atmospheric agents ( such as lightnings, etc ) , electrostatics charges or disturbances on the installation not caused by Aldabra lighting fixtures and Led drivers indicated by Aldabra itself, may cause damages on the fixtures. It is necessary that the electrical installation where the LED lighting fittings and their power supply units and control gears are installed must be equipped with proper devices for the protection and suppression of transient phenomena (SPD, isolation transformer, etc...). Such devices must be coordinated with the other protections of the installation; on this theme, it's necessary to refer to the electrical installations norms which are in force in each country.

## AZIMUT 48 Monochromatic

### DATA-SHEET

#### ACCESSORIES:

##### ACC.0269.0

black anodized aluminium glare cowl for Azimut 48

Ø 50  
(1,969")



60  
(2,362")

