

texo

Texo – a simple and yet an elegant form of truncated or straight tube available in various mounting and finishing options. The Texo M.60 NT and ZW range offers six different body lengths; the inside of the bodies can be changed with colourful inserts which add character to the minimalist luminaires. A spectacular spatial effect can be achieved by combining Texo pendants of different lengths, mounting them centrally, close together or parallel in a straight line. Such arrangements look great over a dining table or a coffee table in a living room. An important part of the range is represented by Texo Single luminaires – that is simple spotlights for surface-mounting and mounting on the a 1For a 3F rail; the luminaire features a concealed hinge, which enables precise adjustment of its tilt angle.

The family also includes LED versions of XS.50 and XL.75 luminaires with built-in power supplies. The distinctive feature of these models is the recessed optics and the massive ring around it.

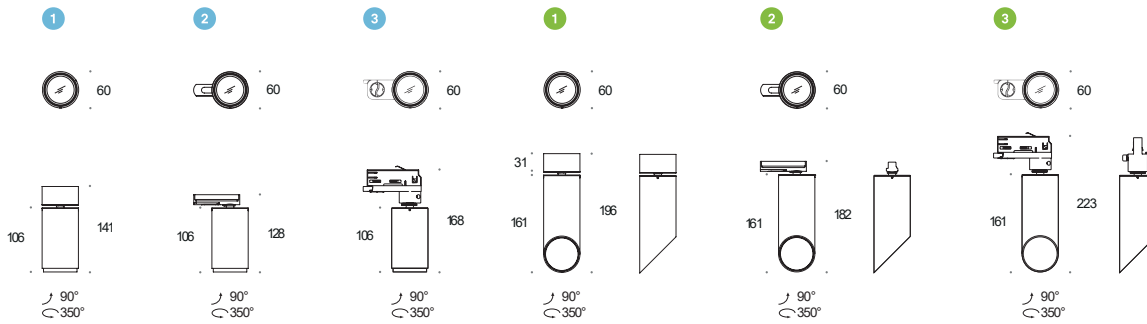




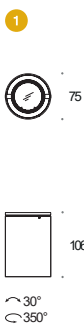
Model	On-Off	White + Black	White + Gold	White + Orange	Black + White	Black + Gold	Black + Orange	Black	White	Mixed	CR88-2700K	CR88-3000K	CR88-4000K	Spot 21°	Medium 40°	Wide 57°
Texo Single	⊕	.33	.88	.56	.44	.77	.66	.02	.03	.99	.927	.930	.940	.S	.M	.W
1 M.60 NT	1x7WGU10 QPAR16LED	2.1890	•	•	•	•	•	•	•	•						
2 M.60 AD 1F	1x7WGU10 QPAR16LED	7.1891	•	•	•	•	•	•	•	•						
3 M.60 AD 3F	1x7WGU10 QPAR16LED	7.1892	•	•	•	•	•	•	•	•						
Texo Single Cut ⊕																
1 M.60 Cut NT	1x7WGU10 QPAR16LED	2.1887	•	•	•	•	•	•	•	•						
2 M.60 Cut AD 1F	1x7WGU10 QPAR16LED	7.1888	•	•	•	•	•	•	•	•						
3 M.60 Cut AD 3F	1x7WGU10 QPAR16LED	7.1889	•	•	•	•	•	•	•	•						
Texo Move ⊕																
1 NT	1x50WGU10 QPAR16	3.0272						•	•	•						
TexoXS/ XL ⊕																
1 XS.50 LED Reflektor NT	1x 10W700lm, 47°	2.2444	•		•			•	•	•	•	•	•			
2 XS.50 G3NT	1x 10W700lm, 47°	3.2768	•		•			•	•	•	•	•	•			
3 XS.50 G3AD 1F	1x 10W700lm, 47°	7.2769	•		•			•	•	•	•	•	•			
4 XS.50 G3AD 3F	1x 10W700lm, 47°	7.2770	•		•			•	•	•	•	•	•			
5 XL.75 G2NT H115	1x 14W1050lm	3.2711	•		•			•	•	•	•	•	•	•	•	•
6 XL.75 G2NT H150	1x 14W1050lm	3.2712	•		•			•	•	•	•	•	•	•	•	•
7 XL.75 G2H115AD 3F	1x 14W1050lm	7.2713	•		•			•	•	•	•	•	•	•	•	•
8 XL.75 G2H150AD 3F	1x 14W1050lm	7.2714	•		•			•	•	•	•	•	•	•	•	•



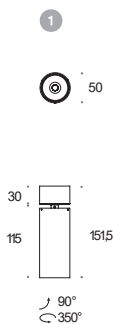
Texo M.60 Single



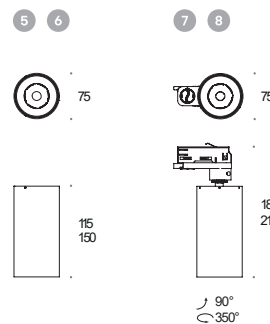
Texo Move



Texo XS.50



Texo XL.75

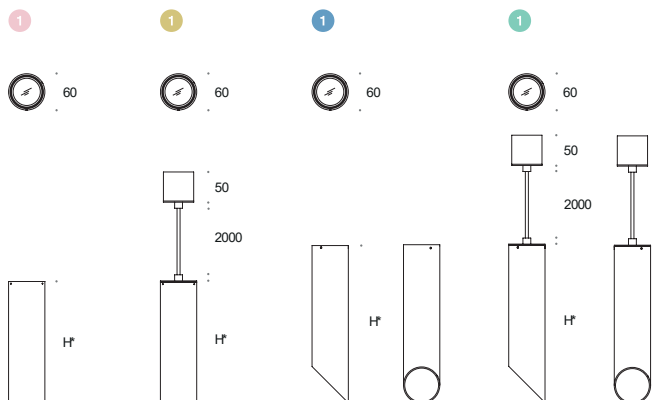


				.08	.40	.02	.03	.99
	TexoM.60 NT ⊕							
1	H100	1x7WGU10 QPAR16LED	3.1958			•	•	•
	H200	1x7WGU10 QPAR16LED	3.1959			•	•	•
	H300	1x7WGU10 QPAR16LED	3.1960			•	•	•
	H400	1x7WGU10 QPAR16LED	3.1961			•	•	•
	H500	1x7WGU10 QPAR16LED	3.1962			•	•	•
	H600	1x7WGU10 QPAR16LED	3.1963			•	•	•
	TexoM.60 ZW ⊕							
1	H100	1x7WGU10 QPAR16LED	5.1964			•	•	•
	H200	1x7WGU10 QPAR16LED	5.1965			•	•	•
	H300	1x7WGU10 QPAR16LED	5.1966			•	•	•
	H400	1x7WGU10 QPAR16LED	5.1967			•	•	•
	H500	1x7WGU10 QPAR16LED	5.1968			•	•	•
	H600	1x7WGU10 QPAR16LED	5.1969			•	•	•
1	M.60 DecoRing [option]		9.1956			•	•	•
	TexoCut M.60 NT ⊕							
1	H160	1x7WGU10 QPAR16LED	3.1970			•	•	•
	H260	1x7WGU10 QPAR16LED	3.1971			•	•	•
	H360	1x7WGU10 QPAR16LED	3.1972			•	•	•
	H460	1x7WGU10 QPAR16LED	3.1973			•	•	•
	H560	1x7WGU10 QPAR16LED	3.1974			•	•	•
	H660	1x7WGU10 QPAR16LED	3.1975			•	•	•
	TexoCut M.60 ZW ⊕							
1	H160	1x7WGU10 QPAR16LED	5.1976			•	•	•
	H260	1x7WGU10 QPAR16LED	5.1977			•	•	•
	H360	1x7WGU10 QPAR16LED	5.1978			•	•	•
	H460	1x7WGU10 QPAR16LED	5.1979			•	•	•
	H560	1x7WGU10 QPAR16LED	5.1980			•	•	•
	H660	1x7WGU10 QPAR16LED	5.1981			•	•	•
2	M.60 DecoRing [option]		9.1957			•	•	•

Texo M.60

Texo Cut M.60

Texo / Texo Cut Deco Ring



details subject to change.

