

ray evo system



The RAY EVO SYSTEM is a new, modernised lighting profile system with huge possibilities. The solution is based on dedicated aluminium profiles for surface, suspended and flush mounting. The great advantage of this solution is the multitude of lighting modules, from light lines through movable spotlights to pendant luminaires.

An important feature of the system is its modularity. In addition to the light lines, all luminaires are based on unified carrier modules, each of identical length, which makes them easily interchangeable. The module is installed by clicking it into the main profile.

The system's power supply is based on 230V mains voltage, which means that the total power of the set is up to 1000W per circuit. This gives great possibilities even in the case of very complex configurations.

Each luminaire is equipped with a dedicated electronic power supply and louvre system connectors. With the ability to use DALI2 power supplies, we have full control over each individual module. What is important, by using a DALI2 solution, you gain the ability to independently control two circuits simultaneously.



geit flat x2



connection accessories



shift on x2



stik 25 ZW x2

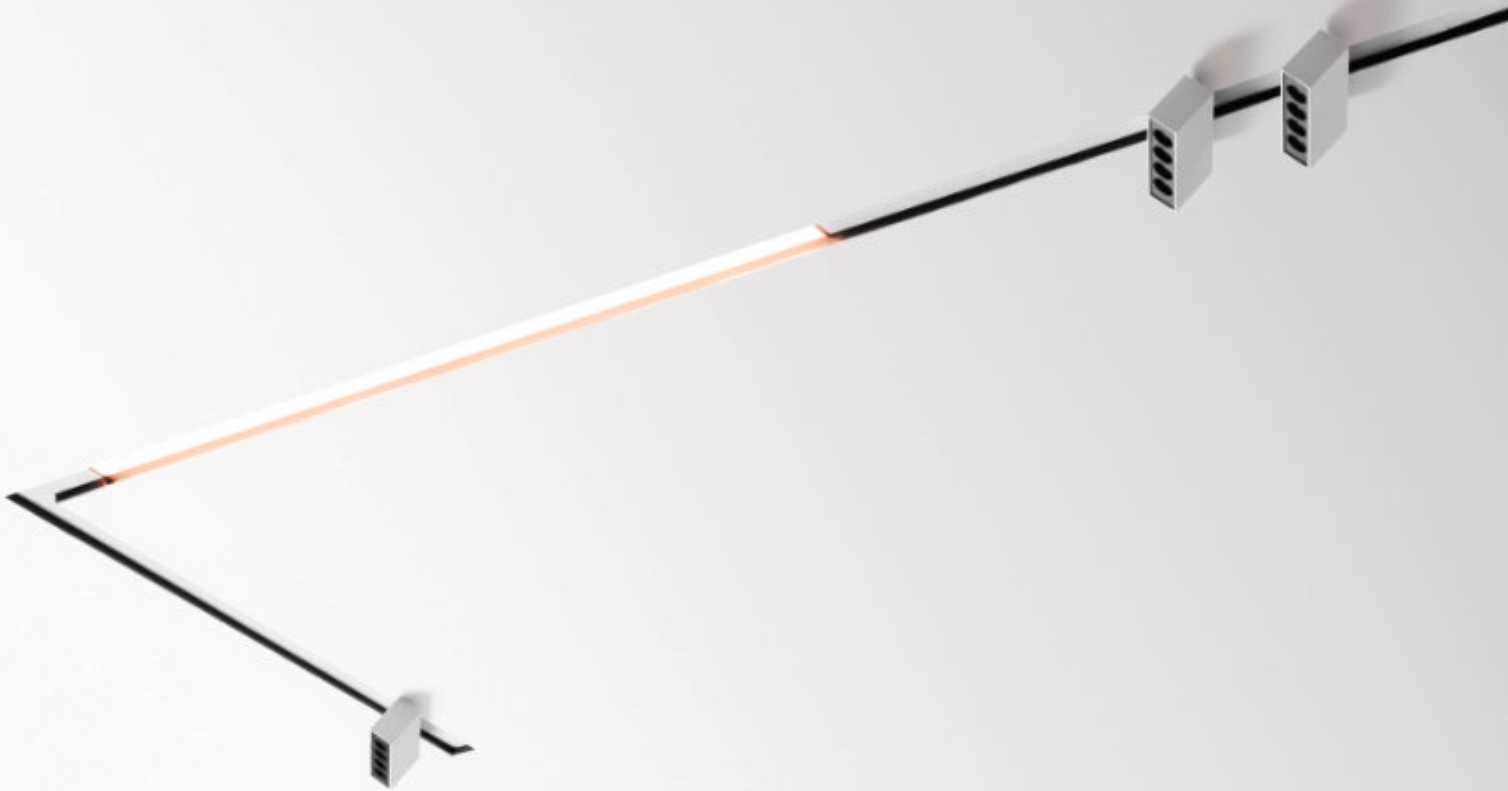


KAMA MŁUCHA

fol. Kizysztof Zgola

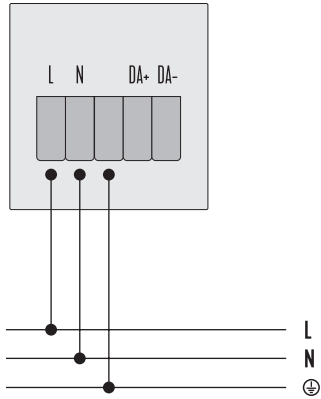
light thinking





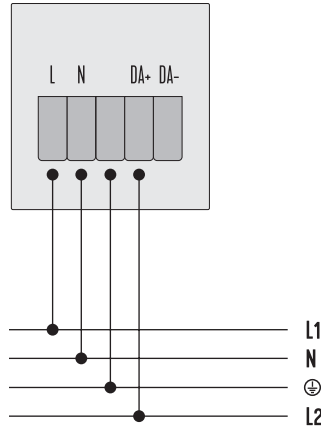
One ON-OFF circuit

Only luminaires with the Circuit 1 designation can be selected. This allows you to create a single circuit – all luminaires are turned on and off simultaneously.



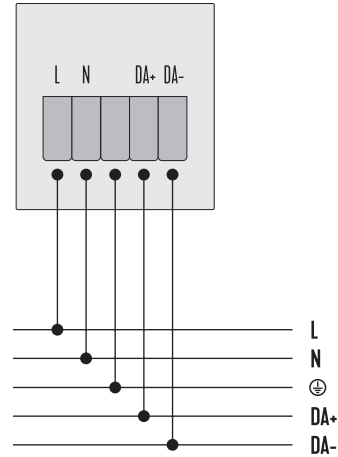
Two ON-OFF circuits simultaneously

It requires you to select two groups of luminaires at the same time, labelled circuit 1 and circuit 2. This allows you to create two separate circuits, switched on and off separately.



One circuit ON-OFF + DALI2 dimming

It requires using lamps with DALI2 marking. This allows you to create a single circuit with full digital control. Each luminaire can be switched on and controlled separately.



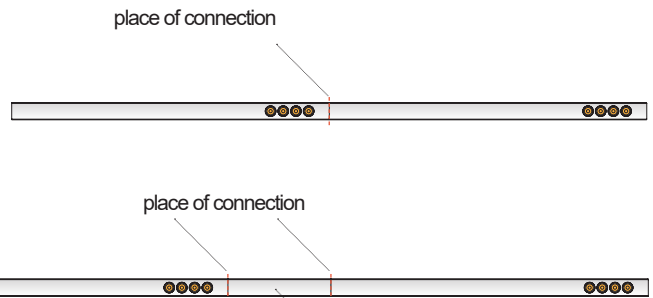
Visibility of connections between modules

The modularity of the system forces a larger than normal number of visible module connection / contact points.

We strongly recommend connecting modules directly to each other without leaving empty spaces or designing dead modules with increased length.

Any empty space between modules will be filled with appropriate caps.

This applies ONLY to light / dead modules. Straight sections of main profiles are always produced in the maximum length without joints (max 1800mm).



A blind module – will be automatically added if modules are not connected. This will result in two visible connection points.

ray evo system

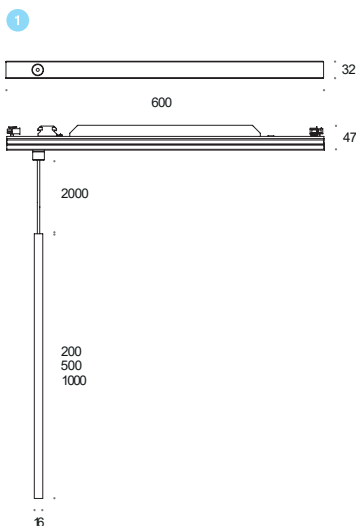
Model			On—Off (circuit 1)	On—Off (circuit 2)	DALI2	Color			CRI90		
						Black	White	Mixed	.927	.930	.940
System—STIK 16 ZW ⊕											
1	1x 16.200 ZW— LEFT	1x7.8W,300lm, 41°	6.2985	6.2986	6.2987	•	•	•	•	•	•
	1x 16.200 ZW— CENTRAL	1x7.8W,300lm, 41°	6.2988	6.2989	6.2990	•	•	•	•	•	•
	1x 16.200 ZW— RIGHT	1x7.8W,300lm, 41°	6.2991	6.2992	6.2993	•	•	•	•	•	•
	1x 16.500 ZW— LEFT	1x7.8W,300lm, 41°	6.2994	6.2995	6.2996	•	•	•	•	•	•
	1x 16.500 ZW— CENTRAL	1x7.8W,300lm, 41°	6.2997	6.2998	6.2999	•	•	•	•	•	•
	1x 16.500 ZW— RIGHT	1x7.8W,300lm, 41°	6.3000	6.3001	6.3002	•	•	•	•	•	•
	1x 16.1000 ZW— LEFT	1x7.8W,300lm, 41°	6.3003	6.3004	6.3005	•	•	•	•	•	•
	1x 16.1000 ZW— CENTRAL	1x7.8W,300lm, 41°	6.3006	6.3007	6.3008	•	•	•	•	•	•
	1x 16.1000 ZW— RIGHT	1x7.8W,300lm, 41°	6.3009	6.3010	6.3011	•	•	•	•	•	•
2	2x 16.200 ZW— LEFT	2x7.8W,300lm, 41°	6.3012	6.3013	6.3014	•	•	•	•	•	•
	2x 16.200 ZW— CENTRAL	2x7.8W,300lm, 41°	6.3015	6.3016	6.3017	•	•	•	•	•	•
	2x 16.200 ZW— RIGHT	2x7.8W,300lm, 41°	6.3018	6.3019	6.3020	•	•	•	•	•	•
	2x 16.500 ZW— LEFT	2x7.8W,300lm, 41°	6.3021	6.3022	6.3023	•	•	•	•	•	•
	2x 16.500 ZW— CENTRAL	2x7.8W,300lm, 41°	6.3024	6.3025	6.3026	•	•	•	•	•	•
	2x 16.500 ZW— RIGHT	2x7.8W,300lm, 41°	6.3027	6.3028	6.3029	•	•	•	•	•	•
	2x 16.1000 ZW— LEFT	2x7.8W,300lm, 41°	6.3030	6.3031	6.3032	•	•	•	•	•	•
	2x 16.1000 ZW— CENTRAL	2x7.8W,300lm, 41°	6.3033	6.3034	6.3035	•	•	•	•	•	•
	2x 16.1000 ZW— RIGHT	2x7.8W,300lm, 41°	6.3036	6.3037	6.3038	•	•	•	•	•	•
System—STIK 25 ZW ⊕											
3	1x 25.200 ZW— LEFT	1x6.4W,290lm, 45°	6.3039	6.3040	6.3041	•	•	•	•	•	•
	1x 25.200 ZW— CENTRAL	1x6.4W,290lm, 45°	6.3042	6.3043	6.3044	•	•	•	•	•	•
	1x 25.200 ZW— RIGHT	1x6.4W,290lm, 45°	6.3045	6.3046	6.3047	•	•	•	•	•	•
	1x 25.500 ZW— LEFT	1x6.4W,290lm, 45°	6.3048	6.3049	6.3050	•	•	•	•	•	•
	1x 25.500 ZW— CENTRAL	1x6.4W,290lm, 45°	6.3051	6.3052	6.3053	•	•	•	•	•	•
	1x 25.500 ZW— RIGHT	1x6.4W,290lm, 45°	6.3054	6.3055	6.3056	•	•	•	•	•	•
	1x 25.700 ZW— LEFT	1x6.4W,290lm, 45°	6.3057	6.3058	6.3059	•	•	•	•	•	•
	1x 25.700 ZW— CENTRAL	1x6.4W,290lm, 45°	6.3060	6.3061	6.3062	•	•	•	•	•	•
	1x 25.700 ZW— RIGHT	1x6.4W,290lm, 45°	6.3063	6.3064	6.3065	•	•	•	•	•	•

c.d →

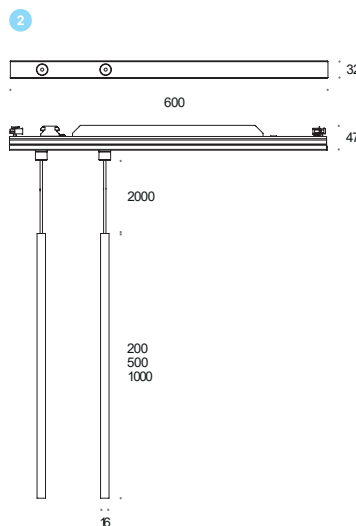
• CRI90



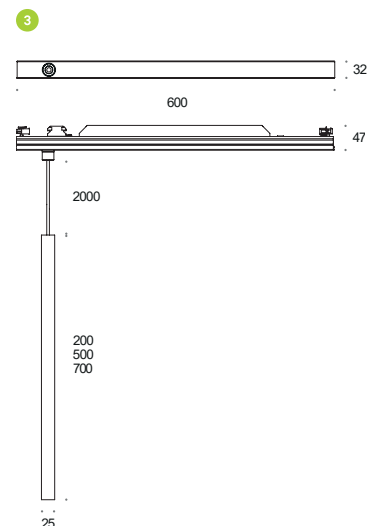
Stik 1x 16ZW(ewy)



Stik 2x 16ZW(ewy)



Stik 1x 25ZW(ewy)

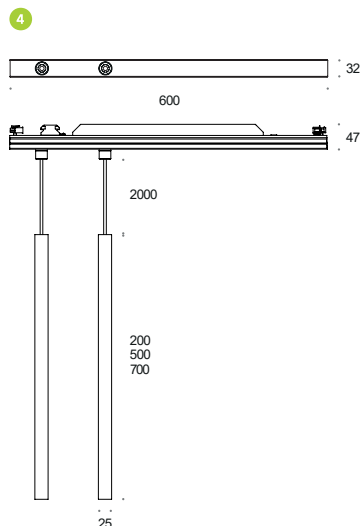


Model			On—Off (circuit 1)	On—Off (circuit 2)	DALI2	Black			White			Mixed		
						.02	.03	.99	.927	.930	.940	CR168 2700K	CR1983 000K	CR198 4000K
System—STIK 25 ZW c.d. ⊕														
4	2x25.200 ZW—LEFT	2x6.4W,290lm,45°	6.3066	6.3067	6.3068
	2x25.200 ZW—CENTRAL	2x6.4W,290lm,45°	6.3069	6.3070	6.3071
	2x25.200 ZW—RIGHT	2x6.4W,290lm,45°	6.3072	6.3073	6.3074
	2x25.500 ZW—LEFT	2x6.4W,290lm,45°	6.3075	6.3076	6.3077
	2x25.500 ZW—CENTRAL	2x6.4W,290lm,45°	6.3078	6.3079	6.3080
	2x25.500 ZW—RIGHT	2x6.4W,290lm,45°	6.3081	6.3082	6.3083
	2x25.700 ZW—LEFT	2x6.4W,290lm,45°	6.3084	6.3085	6.3086
	2x25.700 ZW—CENTRAL	2x6.4W,290lm,45°	6.3087	6.3088	6.3089
	2x25.700 ZW—RIGHT	2x6.4W,290lm,45°	6.3090	6.3091	6.3092
System—STIK 35 ZW ⊕														
5	1x35.200 ZW—LEFT	1x11W,750lm, 44°	6.3111	6.3112	6.3113
	1x35.200 ZW—CENTRAL	1x11W,750lm, 44°	6.3114	6.3115	6.3116
	1x35.200 ZW—RIGHT	1x11W,750lm, 44°	6.3117	6.3118	6.3119
	1x35.500 ZW—LEFT	1x11W,750lm, 44°	6.3120	6.3121	6.3122
	1x35.500 ZW—CENTRAL	1x11W,750lm, 44°	6.3123	6.3124	6.3125
	1x35.500 ZW—RIGHT	1x11W,750lm, 44°	6.3126	6.3127	6.3128
	1x35.700 ZW—LEFT	1x11W,750lm, 44°	6.3129	6.3130	6.3131
	1x35.700 ZW—CENTRAL	1x11W,750lm, 44°	6.3132	6.3133	6.3134
	1x35.700 ZW—RIGHT	1x11W,750lm, 44°	6.3135	6.3136	6.3137
6	2x35.200 ZW—LEFT	2x11W,750lm, 44°	6.3138	6.3139	6.3140
	2x35.200 ZW—CENTRAL	2x11W,750lm, 44°	6.3141	6.3142	6.3143
	2x35.200 ZW—RIGHT	2x11W,750lm, 44°	6.3144	6.3145	6.3146
	2x35.500 ZW—LEFT	2x11W,750lm, 44°	6.3147	6.3148	6.3149
	2x35.500 ZW—CENTRAL	2x11W,750lm, 44°	6.3150	6.3151	6.3152
	2x35.500 ZW—RIGHT	2x11W,750lm, 44°	6.3153	6.3154	6.3155
	2x35.700 ZW—LEFT	2x11W,750lm, 44°	6.3156	6.3157	6.3158
	2x35.700 ZW—CENTRAL	2x11W,750lm, 44°	6.3159	6.3160	6.3161
	2x35.700 ZW—RIGHT	2x11W,750lm, 44°	6.3162	6.3163	6.3164

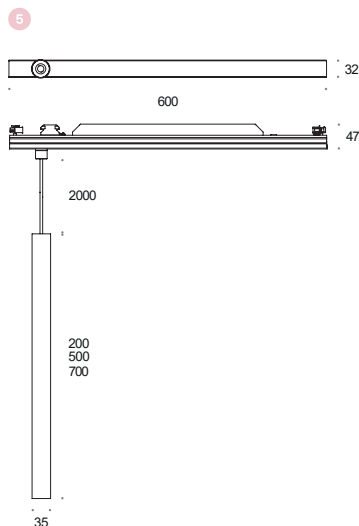
● CRI90



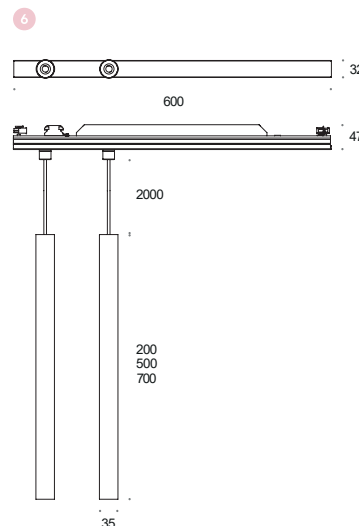
Stik 2x25 ZW(ewy)



Stik 1x35 ZW(ewy)



Stik 2x35 ZW(ewy)



details subject to change.

