

# ray evo system



The RAY EVO SYSTEM is a new, modernised lighting profile system with huge possibilities. The solution is based on dedicated aluminium profiles for surface, suspended and flush mounting. The great advantage of this solution is the multitude of lighting modules, from light lines through movable spotlights to pendant luminaires.

An important feature of the system is its modularity. In addition to the light lines, all luminaires are based on unified carrier modules, each of identical length, which makes them easily interchangeable. The module is installed by clicking it into the main profile.

The system's power supply is based on 230V mains voltage, which means that the total power of the set is up to 1000W per circuit. This gives great possibilities even in the case of very complex configurations.

Each luminaire is equipped with a dedicated electronic power supply and louvre system connectors. With the ability to use DALI2 power supplies, we have full control over each individual module. What is important, by using a DALI2 solution, you gain the ability to independently control two circuits simultaneously.





geit flat x2



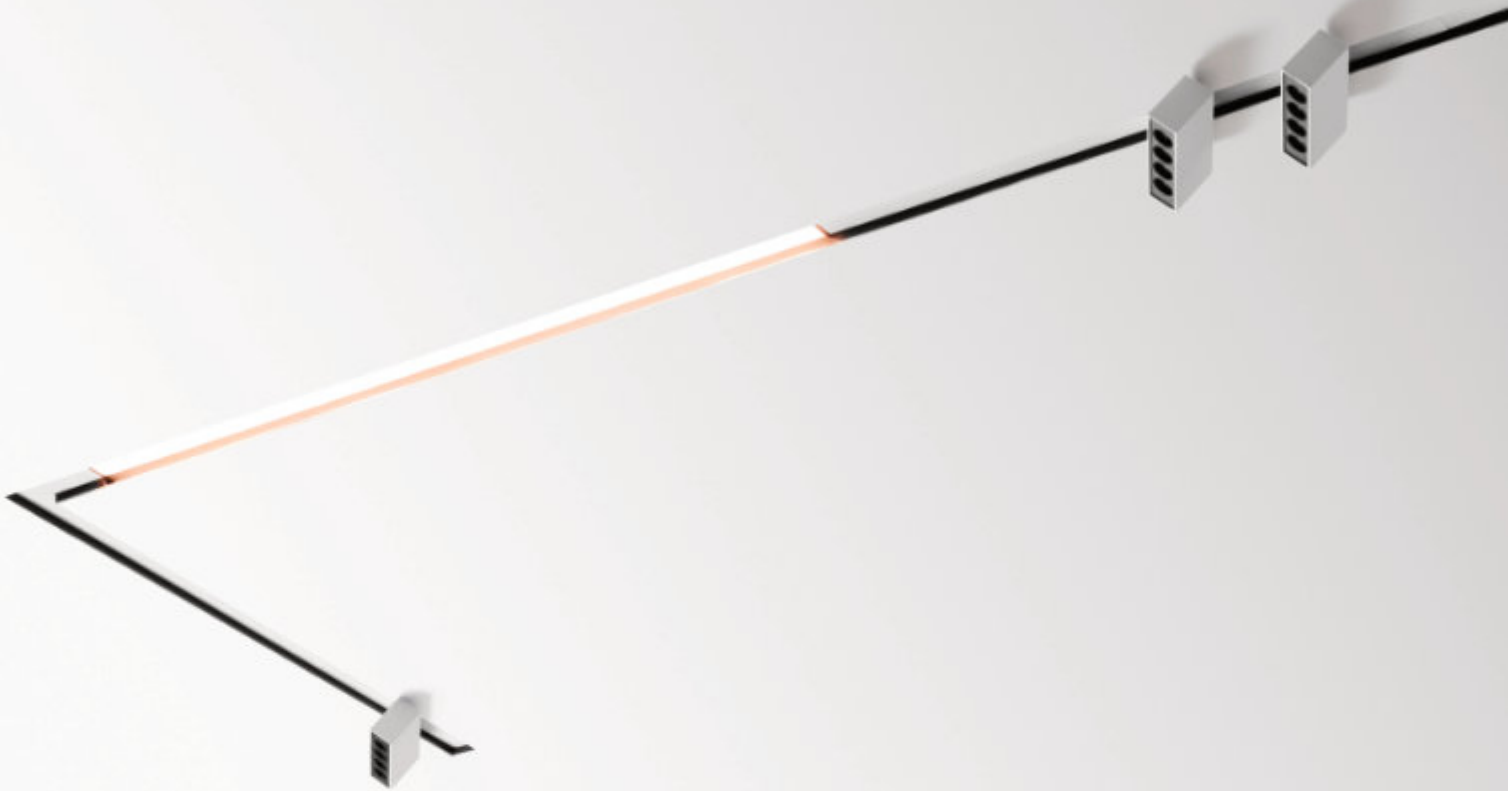
connection accessories



shift on x2

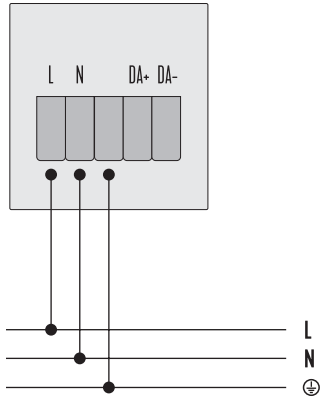


stik 25 ZW x2



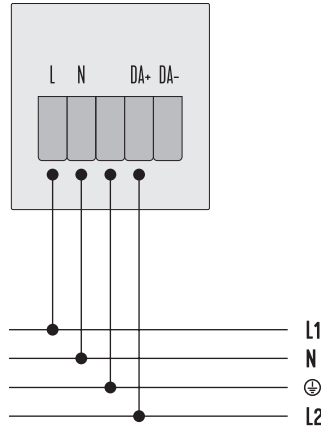
**One ON-OFF circuit**

Only luminaires with the Circuit 1 designation can be selected. This allows you to create a single circuit – all luminaires are turned on and off simultaneously.



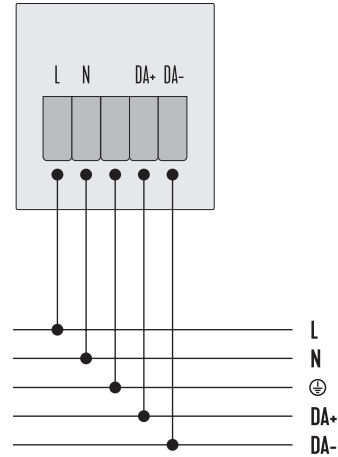
**Two ON-OFF circuits simultaneously**

It requires you to select two groups of luminaires at the same time, labelled circuit 1 and circuit 2. This allows you to create two separate circuits, switched on and off separately.



**One circuit ON-OFF + DALI2 dimming**

It requires using lamps with DALI2 marking. This allows you to create a single circuit with full digital control. Each luminaire can be switched on and controlled separately.



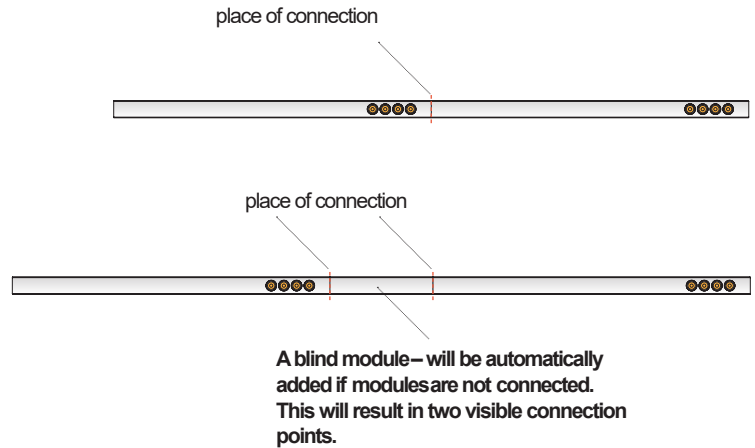
**Visibility of connections between modules**

The modularity of the system forces a larger than normal number of visible module connection / contact points.

**We strongly recommend connecting modules directly to each other without leaving empty spaces or designing dead modules with increased length.**

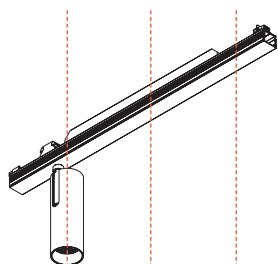
Any empty space between modules will be filled with appropriate caps.

This applies ONLY to light / dead modules. Straight sections of main profiles are always produced in the maximum length without joints (max 1800mm).

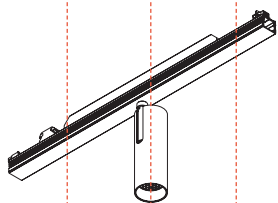


**Module versions** —RIGHT | CENTRAL | LEFT

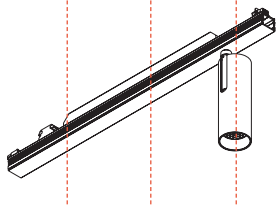
Each light module is available in three positions relative to the mounting profile. This makes it easier to plan the distance between the fixture heads. See example below.



Stik On 55x1— LEFT



Stik On 55x1— CENTRAL

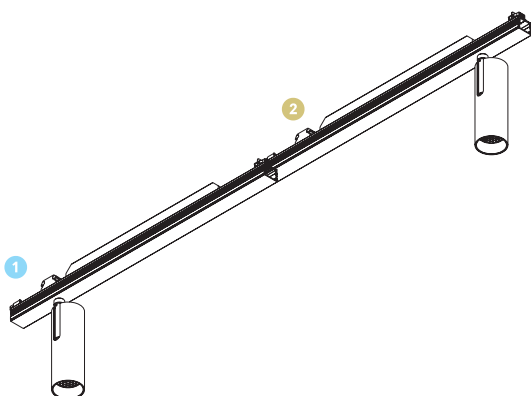


Stik On 55x1— RIGHT

**Example 1**— LEFT | RIGHT

The selected light modules (fixture heads) are far apart. Selected in the following order:

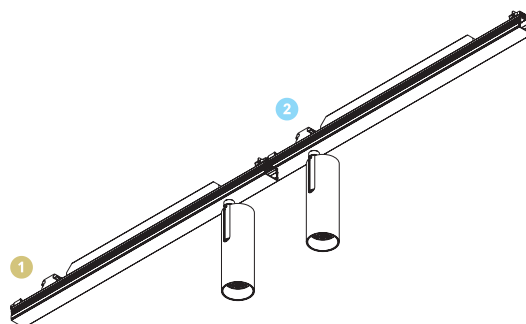
- 1 Stik On 55x1 | LEFT
- 2 Stik On 55x1 | RIGHT



**Example 2**— RIGHT | LEFT

The selected light modules (fixture heads) are far close together. Selected in the following order:

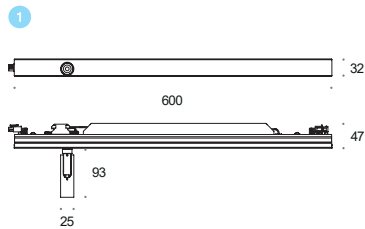
- 1 Stik On 55x1 | RIGHT
- 2 Stik On 55x1 | LEFT



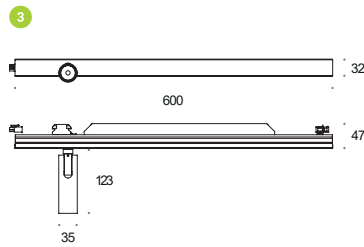
ray evo system

Model		On—Off (circuit 1)	On—Off (circuit 2)	DALI2	Black	White	Mixed	CR88-2700K	CR88-3000K	CR88-4000K	Spot 17°	Medium 34°	Wide 56°
					.02	.03	.99	.927	.930	.940	S	M	W
<b>System—Stik On25</b> ⊕													
1	25 x1— LEFT	1x6.4W,290lm, 45°	6.3093	6.3094	6.3095	•	•	•	•	•			
	25 x1— CENTRAL	1x6.4W,290lm, 45°	6.3096	6.3097	6.3098	•	•	•	•	•			
	25 x1— RIGHT	1x6.4W,290lm, 45°	6.3099	6.3100	6.3101	•	•	•	•	•			
2	25 x2 — LEFT	2x6.4W,290lm,45°	6.3102	6.3103	6.3104	•	•	•	•	•			
	25 x2 — CENTRAL	2x6.4W,290lm,45°	6.3105	6.3106	6.3107	•	•	•	•	•			
	25 x2 — RIGHT	2x6.4W,290lm,45°	6.3108	6.3109	6.3110	•	•	•	•	•			
<b>System—Stik On35 (spot)</b> ⊕													
3	35 x1— LEFT	1x9W,560lm, 35°	6.3165	6.3166	6.3167	•	•	•	•	•			
	35 x1— CENTRAL	1x9W,560lm, 35°	6.3168	6.3169	6.3170	•	•	•	•	•			
	35 x1— RIGHT	1x9W,560lm, 35°	6.3171	6.3172	6.3173	•	•	•	•	•			
4	35 x2 — LEFT	2x9W,560lm,35°	6.3174	6.3175	6.3176	•	•	•	•	•			
	35 x2 — CENTRAL	2x9W,560lm,35°	6.3177	6.3178	6.3179	•	•	•	•	•			
	35 x2 — RIGHT	2x9W,560lm,35°	6.3180	6.3181	6.3182	•	•	•	•	•			
<b>System—Stik On55 (spot)</b> ⊕													
5	55 x1— LEFT	1x14W,1050lm	6.3183	6.3184	6.3185	•	•	•	•	•	•	•	•
	55 x1— CENTRAL	1x14W,1050lm	6.3186	6.3187	6.3188	•	•	•	•	•	•	•	•
	55 x1— RIGHT	1x14W,1050lm	6.3189	6.3190	6.3191	•	•	•	•	•	•	•	•
6	55 x2 — LEFT	2x14W,1050lm	6.3192	6.3193	6.3194	•	•	•	•	•	•	•	•
	55 x2 — CENTRAL	2x14W,1050lm	6.3195	6.3196	6.3197	•	•	•	•	•	•	•	•
	55 x2 — RIGHT	2x14W,1050lm	6.3198	6.3199	6.3200	•	•	•	•	•	•	•	•

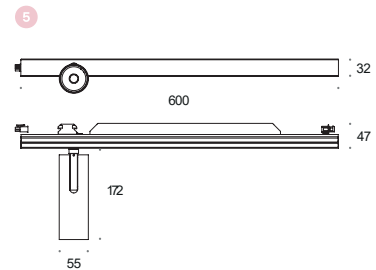
Stik On 25x1(1wy)



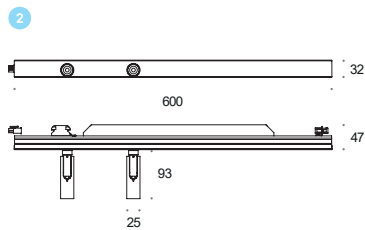
Stik On 35x1(1wy)



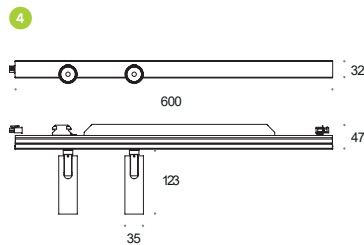
Stik On 55x1(1wy)



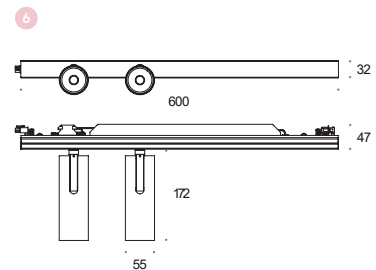
Stik On 25x2(1wy)



Stik On 35x2(1wy)



Stik On 55x2(1wy)



details subject to change.

