

# nex

NEX luminaire is a series of spotlights, where, additionally, the whole body rotates around its axis. The aluminium lamp housing is set on a single base and has a built-in electronic transformer or an LED power supply. The NEX series of luminaires features LEDs with Chip-on-Board (CoB) technology, so the light beam is uniform and concentrated, avoiding the effect of multiplied shadows. NEX comes in two versions— single and double. Due to its high mobility, it is great for both home and display spaces.

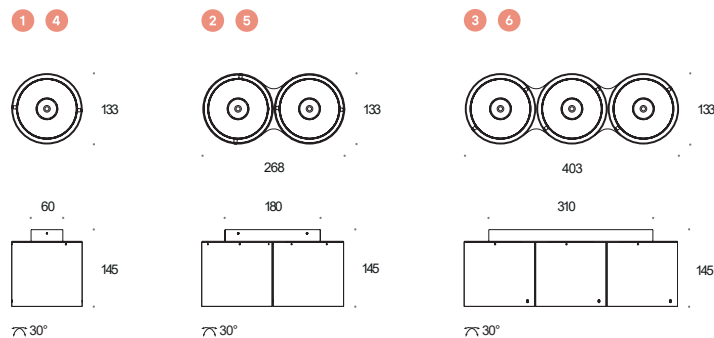


nex x2 / x1NT

Model		On-Off	Switch Dim	DALI2	PhaseOut	Black	White	Mixed	CR98-2700K	CR98-3000K	CR98-4000K	Spot 13°	Medium 32°	Wide 48°	Spot 18°	Medium 35°	Wide 55°
						.02	.03	.99	.927	.930	.940	S	M	W	S	M	W
<b>Nex NT QR111</b> ⊕																	
1	1QR111	1x 0-50WG53 QR-LP111	3.0405														
2	2QR111	2x 0-50WG53 QR-LP111	3.0406														
3	3QR111	3x 0-50WG53 QR-LP111	3.0407														
<b>Nex NT edgeLED</b> ⊕																	
1	1edgeLED	1x 8W510lm	3.0688	3.1527	3.1526	3.1525											
2	2edgeLED	2x 8W510lm	3.0689	3.1530	3.1529	3.1528											
3	3edgeLED	3x 8W510lm	3.0690	3.1533	3.1532	3.1531											
4	1edgeLED	1x 15W1200lm	3.0816	3.1547	3.1546	3.1545											
5	2edgeLED	2x 15W1200lm	3.0817	3.1550	3.1549	3.1548											
6	3edgeLED	3x 15W1200lm	3.0818	3.1553	3.1552	3.1551											



NexNT



details subject to change.

