

# multisystem evo G.2



system

Multisystem is a modern lighting solution based on aluminium profiles, equipped with integrated electric wires for safe voltage of 48V, thanks to which the system is safe even for an inexperienced user.

The luminaires can be freely rearranged and moved between different sections and types of profiles – this makes the system extremely flexible in terms of shaping the light in the interior. If the function of the interior is reorganised, the luminaires can be quickly moved to the desired location. Installation of the luminaires only

requires clicking them into the profile – no tightening, adjusting, etc. is required.

All luminaires in the system are equipped with an integrated 48V converter – however they require a separate central power supply, either flush or in a special box covering the power supply.

Luminaires and power supplies are available in an On-Off version or with a full DALI2 control system. With special converters which the luminaires are equipped with, each luminaire can be addressed separately.



AD 48V line in points 567 — mounting without tools



AD 48V stik on 25x1+ track WP



AD 48V line in + track NT



AD 48V shift in 5x1+ track WP



AD 48V shift on 3x1+ track NT



AD 48V stik 35x1/ shift on 3x1/ line in 567





Чабанная Надя

фот. Yevhenii Avramenko

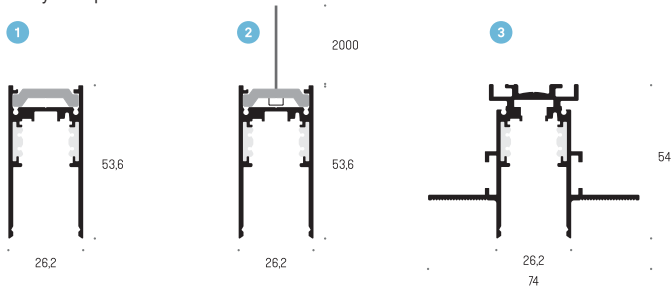
**multisystem**



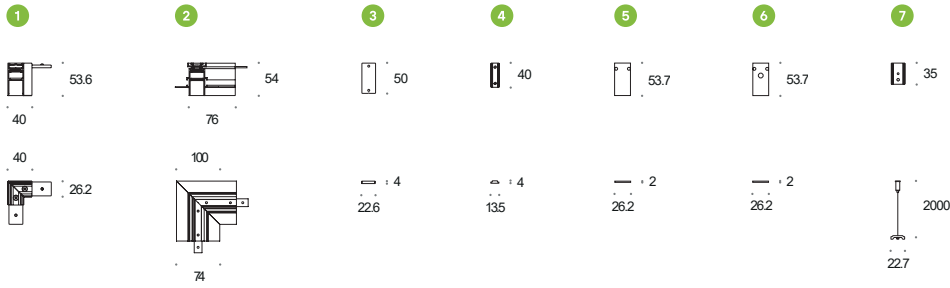
fol. Krzysztof Zgola

**multisystem**

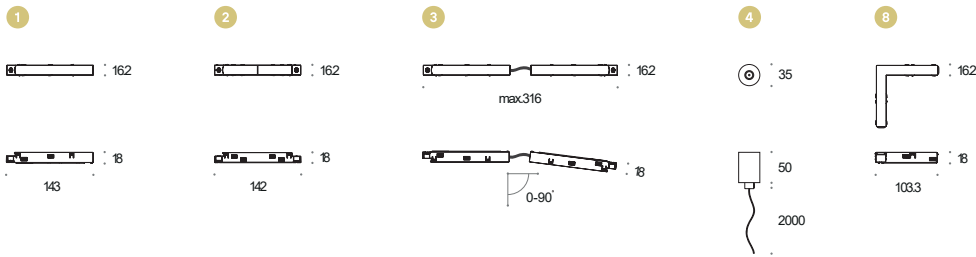
Multisystem—profiles



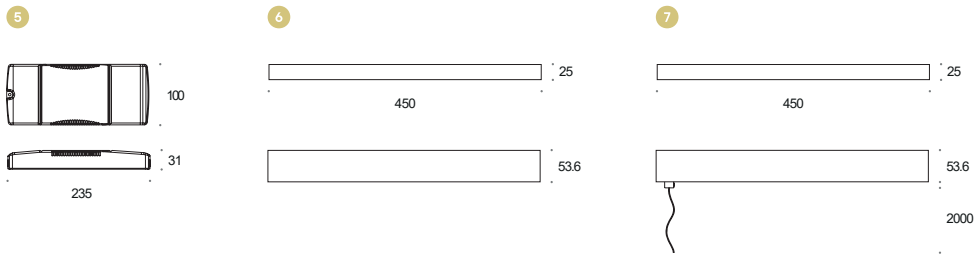
Multisystem—mechanical components



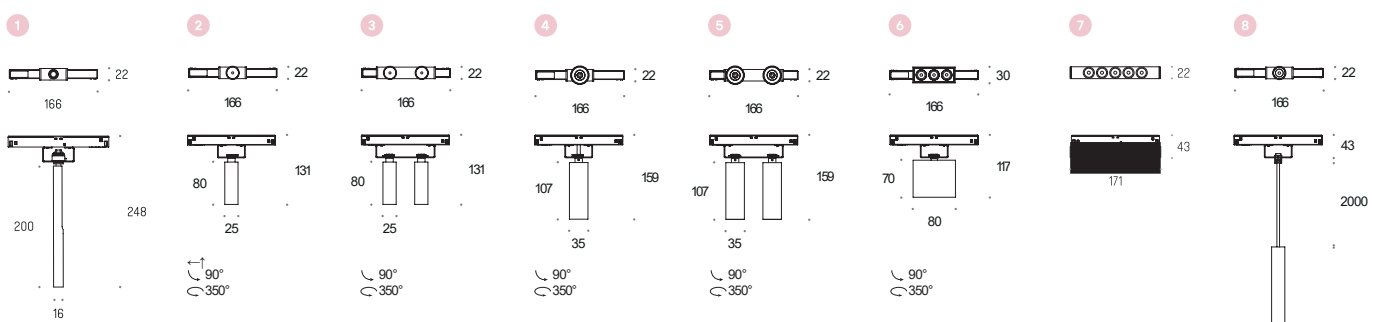
Multisystem—electrical components



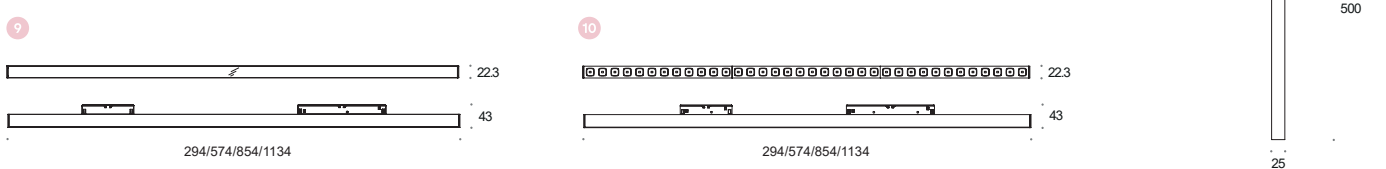
Multisystem—drivers



Multisystem—luminaires



Multisystem—luminaires



Model	Main components	On—Off	Switch Dim / DALI2	Accessories	Black	White	Mixed	CR88-2700K	CR198-3000K	CR198-4000K
					.02	.03	.99	.927	.930	.940
<b>MultisystemEvoG2 48V —Profiles</b> ◆										
1	48V Track NT 100cm (surface)	7.2200EG			●	●				
1	48V Track NT 200cm(surface)	7.2201EG			●	●				
2	48V Track ZW100cm (suspended)	7.2204EG			●	●				
2	48V Track ZW200cm (suspended)	7.2205EG			●	●				
3	48V Track WP 100cm (recessed-trimless)	7.2202EG			●					
3	48V Track WP200cm (recessed-trimless)	7.2203EG			●					
<b>MultisystemEvo G2 48V —mechanical components</b> ◆										
1	mechanical   Corner Joint 90 Surface/Suspended NT/ZW			7.2215EG	●	●				
2	mechanical   Corner Joint 90 RecessedWP			7.2484EG	●					
3	mechanical   Linear Joint Surface/Suspended NT/ZW			7.2245EG						
4	mechanical   Linear Recessed			7.2218EG	●					
5	mechanical   End Cap NT/ZW/WP			7.2214EG	●	●				
6	mechanical   End Cap (with hole dia.10) NT/ZW/WP			7.2213EG	●	●				
7	mechanical   Pendant mounting			7.2216EG						
<b>MultisystemEvoG2 48V —electrical components</b> ◆										
1	electrical   End Feed			7.2210EG	●	●				
2	electrical   Linear joint			7.2211EG	●	●				
3	electrical   Corner Joint Flexible			7.2249EG	●	●				
4	electrical   Suspended Power Feed			7.2217EG	●	●				
5	48V Driver 75W   Recessed	9.2234EG	9.2235EG							
5	48V Driver 150W   Recessed	9.2236EG	9.2237EG							
6	48V Driver + Box NT 75W   Surface	9.2462EG	9.2464EG		●	●	●			
6	48V Driver + Box NT 150W   Surface	9.2463EG	9.2465EG		●	●	●			
7	48V Driver + Box ZW75W   Suspended	9.2466EG	9.2468EG		●	●	●			
7	48V Driver + Box ZW150W   Suspended	9.2467EG	9.2469EG		●	●	●			
8	electrical   Corner joint			7.2212EG	●	●				
<b>MultisystemEvo G2 48V —luminaires</b> ◆										
1	AD 48V Stik 16SP   1x 7.8W270lm, 38°	7.3362EG	7.3363EG		●	●	●	●	●	●
2	AD 48V Stik On 25x1   1x4.5W300lm,43°	7.2220EG	7.2221EG		●	●	●	●	●	●
3	AD 48V Stik On 25x2   2x 4.5W300lm,43°	7.2458EG	7.2459EG		●	●	●	●	●	●
4	AD 48V Stik On 35x1   1x6W600lm,44°	7.2232EG	7.2233EG		●	●	●	●	●	●
5	AD 48V Stik On 35x2   2x 6W600lm,44°	7.2460EG	7.2461EG		●	●	●	●	●	●
6	AD 48V Shift On 3x1   6W450lm,47°	7.2222EG	7.2223EG		●	●	●	●	●	●
7	AD 48V Shift In 5x1   10W700lm, 47°	7.2224EG	7.2225EG		●	●	●	●	●	●
8	AD 48V Stik 25.500 ZW   1x4.5W300lm,43°	7.2480EG	7.2481EG		●	●	●	●	●	●
9	AD 48V Line In 286   6W490lm	7.2226EG	7.2227EG		●			●	●	●
9	AD 48V Line In 567   12W1000lm	7.2228EG	7.2229EG		●			●	●	●
9	AD 48V Line In 847   18W1500lm	7.2238EG	7.2239EG		●			●	●	●
9	AD 48V Line In 1128   24W2000lm	7.2240EG	7.2241EG		●			●	●	●
10	AD 48V Line In Points 286   5.6W420lm	7.2470EG			●			●	●	
10	AD 48V Line In Points 567   10W840lm	7.2472EG			●			●	●	
10	AD 48V Line In Points 847   15.5W1250lm	7.2474EG			●			●	●	
10	AD 48V Line In Points 1128   18.5W1500lm	7.2476EG			●			●	●	

- .02 — Black Anode
- .02 — Black fine structure RAL9005
- .03 — White fine structure RAL9016
- CR80



details subject to change.