

multisystem evo G.2



system

Multisystem is a modern lighting solution based on aluminium profiles, equipped with integrated electric wires for safe voltage of 48V, thanks to which the system is safe even for an inexperienced user.

The luminaires can be freely rearranged and moved between different sections and types of profiles – this makes the system extremely flexible in terms of shaping the light in the interior. If the function of the interior is reorganised, the luminaires can be quickly moved to the desired location. Installation of the luminaires only

requires clicking them into the profile – no tightening, adjusting, etc. is required.

All luminaires in the system are equipped with an integrated 48V converter – however they require a separate central power supply, either flush or in a special box covering the power supply.

Luminaires and power supplies are available in an On-Off version or with a full DALI2 control system. With special converters which the luminaires are equipped with, each luminaire can be addressed separately.



AD 48V line in points 567 — mounting without tools



AD 48V stik on 25x1+ track WP



AD 48V line in + track NT



AD 48V shift in 5x1+ track WP



AD 48V shift on 3x1+ track NT



AD 48V stik 35x1/ shift on 3x1/ line in 567





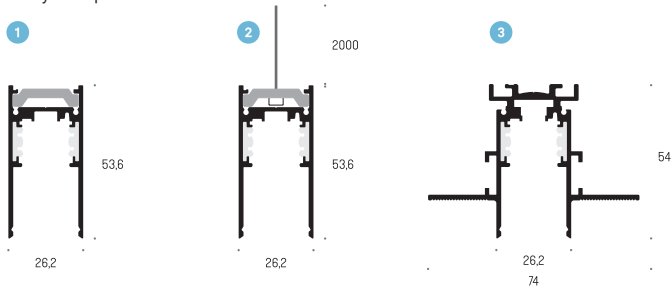
Чабанная Надя

фот. Yevhenii Avramenko

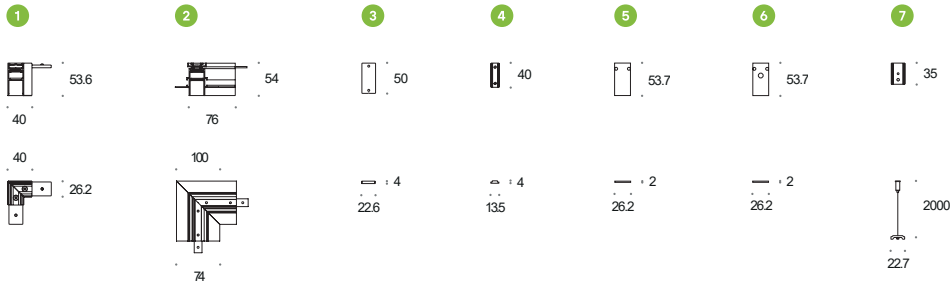
multisystem



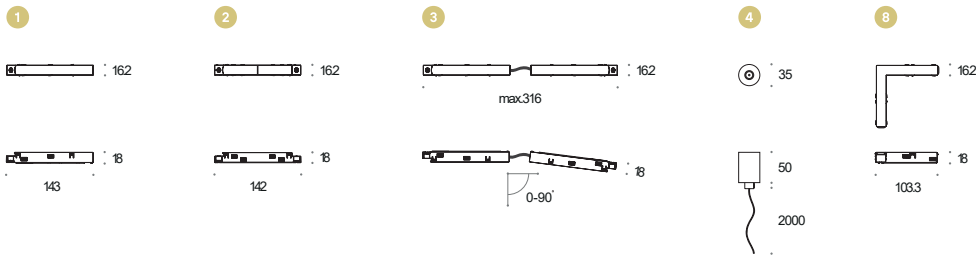
Multisystem—profiles



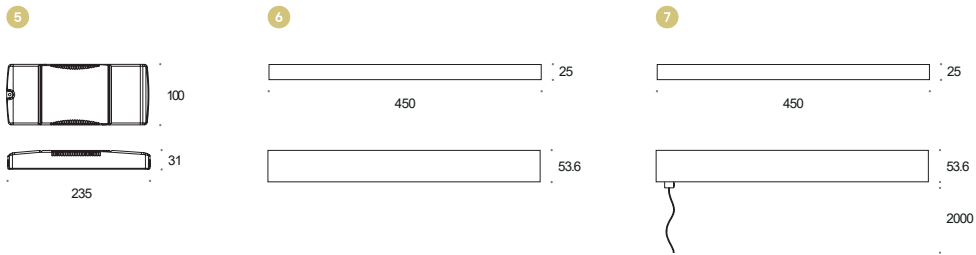
Multisystem—mechanical components



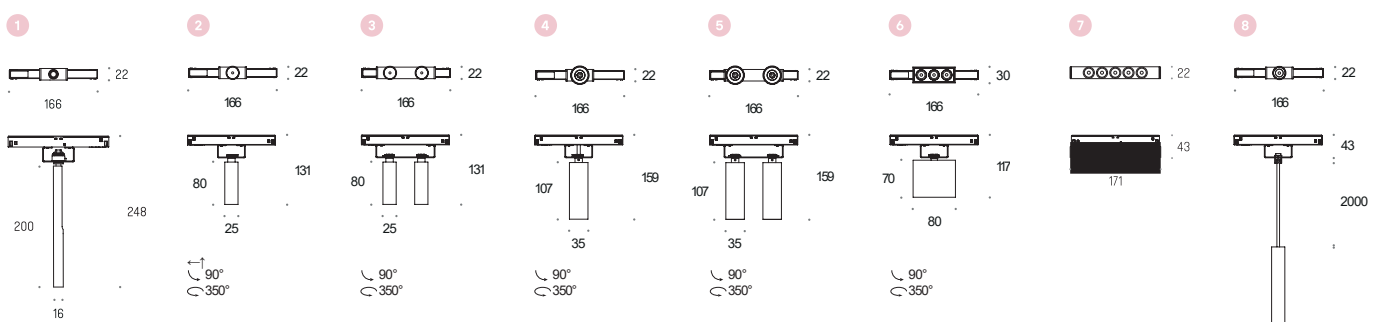
Multisystem—electrical components



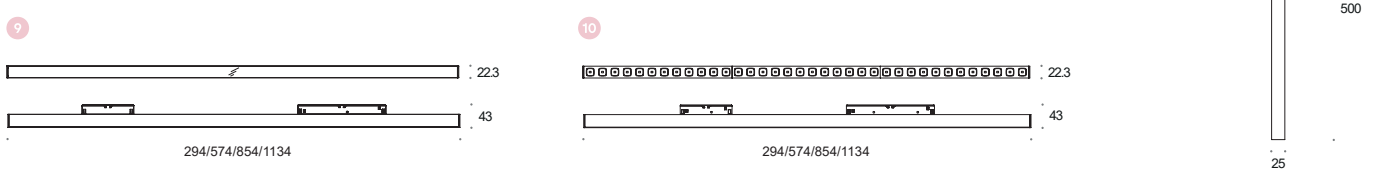
Multisystem—drivers



Multisystem—luminaires



Multisystem—luminaires



Model	Main components	On—Off	Switch Dim / DALI2	Accessories	Black	White	Mixed	CR88-2700K	CR198-3000K	CR198-4000K
					.02	.03	.99	.927	.930	.940
MultisystemEvoG2 48V —Profiles ◆										
1	48V Track NT 100cm (surface)	7.2200EG			●	●				
1	48V Track NT 200cm(surface)	7.2201EG			●	●				
2	48V Track ZW100cm (suspended)	7.2204EG			●	●				
2	48V Track ZW200cm (suspended)	7.2205EG			●	●				
3	48V Track WP 100cm (recessed-trimless)	7.2202EG			●					
3	48V Track WP200cm (recessed-trimless)	7.2203EG			●					
MultisystemEvo G2 48V —mechanical components ◆										
1	mechanical Corner Joint 90 Surface/Suspended NT/ZW			7.2215EG	●	●				
2	mechanical Corner Joint 90 RecessedWP			7.2484EG	●					
3	mechanical Linear Joint Surface/Suspended NT/ZW			7.2245EG						
4	mechanical Linear Recessed			7.2218EG	●					
5	mechanical End Cap NT/ZW/WP			7.2214EG	●	●				
6	mechanical End Cap (with hole dia.10) NT/ZW/WP			7.2213EG	●	●				
7	mechanical Pendant mounting			7.2216EG						
MultisystemEvoG2 48V —electrical components ◆										
1	electrical End Feed			7.2210EG	●	●				
2	electrical Linear joint			7.2211EG	●	●				
3	electrical Corner Joint Flexible			7.2249EG	●	●				
4	electrical Suspended Power Feed			7.2217EG	●	●				
5	48V Driver 75W Recessed	9.2234EG	9.2235EG							
5	48V Driver 150W Recessed	9.2236EG	9.2237EG							
6	48V Driver + Box NT 75W Surface	9.2462EG	9.2464EG		●	●	●			
6	48V Driver + Box NT 150W Surface	9.2463EG	9.2465EG		●	●	●			
7	48V Driver + Box ZW75W Suspended	9.2466EG	9.2468EG		●	●	●			
7	48V Driver + Box ZW150W Suspended	9.2467EG	9.2469EG		●	●	●			
8	electrical Corner joint			7.2212EG	●	●				
MultisystemEvo G2 48V —luminaires ◆										
1	AD 48V Stik 16SP 1x 7.8W270lm, 38°	7.3362EG	7.3363EG		●	●	●	●	●	●
2	AD 48V Stik On 25x1 1x4.5W300lm,43°	7.2220EG	7.2221EG		●	●	●	●	●	●
3	AD 48V Stik On 25x2 2x 4.5W300lm,43°	7.2458EG	7.2459EG		●	●	●	●	●	●
4	AD 48V Stik On 35x1 1x6W600lm,44°	7.2232EG	7.2233EG		●	●	●	●	●	●
5	AD 48V Stik On 35x2 2x 6W600lm,44°	7.2460EG	7.2461EG		●	●	●	●	●	●
6	AD 48V Shift On 3x1 6W450lm,47°	7.2222EG	7.2223EG		●	●	●	●	●	●
7	AD 48V Shift In 5x1 10W700lm, 47°	7.2224EG	7.2225EG		●	●	●	●	●	●
8	AD 48V Stik 25.500 ZW 1x4.5W300lm,43°	7.2480EG	7.2481EG		●	●	●	●	●	●
9	AD 48V Line In 286 6W490lm	7.2226EG	7.2227EG		●			●	●	●
9	AD 48V Line In 567 12W1000lm	7.2228EG	7.2229EG		●			●	●	●
9	AD 48V Line In 847 18W1500lm	7.2238EG	7.2239EG		●			●	●	●
9	AD 48V Line In 1128 24W2000lm	7.2240EG	7.2241EG		●			●	●	●
10	AD 48V Line In Points 286 5.6W420lm	7.2470EG			●			●	●	
10	AD 48V Line In Points 567 10W840lm	7.2472EG			●			●	●	
10	AD 48V Line In Points 847 15.5W1250lm	7.2474EG			●			●	●	
10	AD 48V Line In Points 1128 18.5W1500lm	7.2476EG			●			●	●	

- .02 — Black Anode
- .02 — Black fine structure RAL9005
- .03 — White fine structure RAL9016
- CR80



details subject to change.