

hedion



HEDION is a spotlight for special tasks. Small but effective, inconspicuous but functional. This recessed luminaire is designed so as to illuminate a part of a room or create a light island effect without interfering with the architecture of the interior. Interestingly, there is also an IP65 waterproof version, so it can be successfully used even as a shower light. The collection includes two mounting versions of Hedion – with a delicate frame surrounding the mounting hole or a minimalist spotlight without the frame. Thanks to its transparent casing, Hedion can be successfully used both in modern and classical interiors, blending well with any, even stylised, lighting.

Hedion offers minimalistic form and light output range from 350lm to 2050lm in the most popular 2700K/3000K/4000K colour temperature gamut. Despite its high luminous power, the spotlight does not dazzle thanks to its retracted optics. In addition, Hedion offers a smooth DALI2 dimming function, which allows the light intensity to be adjusted to ambient conditions and the time of day.

Hedion is made of high-quality powder coated aluminium available in two colours: white and black. The main body is fixed on a mounting ring, which enables quick and easy installation of the light module without tools.



hedion pro 16



hedion pro 38 trim



hedion pro 60 trim



hedion pro 80



Model		On—Off	Switch Dim	DALI2	PhaseOut	Accessories	Black	White	Mixed	CR88-2700K	CR88-3000K	CR88-4000K	Spot 17°	Medium 34°	Wide 56°	Spot 15°	Medium 38°	Wide 56°	
							.02	.03	.99	.927	.930	.940	.S	.M	.W	.S	.M	.W	
Hedion Pro 16																			
1	16LED*	1x7.6W350lm, 38, 44°	4.3250	4.3251	4.3252	4.3253	1	•			•	•							
2	16 Mounting ring	[required]				4.3254		•	•	•									
Hedion Pro 38																			
1	38 LC LED*	1x8.5W500lm, 36°	4.3255				1	•	•	•	•	•							
1	38 HC LED**	1x8.5W500lm, 36°	4.3318	4.3256	4.3257	4.3258	1	•	•	•	•	•							
2	38 Mounting ring	[required]				4.3259		•	•	•									
Hedion Pro 60																			
1	60 GU10	1x50WGU10 QPAR16	4.3260				1	•	•	•									
2	60 LED	1x11W800lm	4.3262	4.3263	4.3264	4.3265	1	•	•	•	•	•	•	•	•				
3	60 Mounting ring	[required]				4.3266		•	•	•									
Hedion Pro 80																			
1	80 LED	1x15W1100lm	4.3267	4.3268	4.3269	4.3270	1	•	•	•	•	•				•	•	•	
2	80 LED	1x27W2050lm	4.3271	4.3272	4.3273	4.3274	1	•	•	•	•	•				•	•	•	
3	80 Mounting ring	[required]				4.3275		•	•	•									
Hedion Pro Trim 16																			
1	16LED*	1x7.6W350lm, 44°	4.3276	4.3277	4.3278	4.3279		•	•	•	•	•							
Hedion Pro Trim 38																			
1	38 LC LED*	1x8.5W500lm, 36°	4.3280					•	•	•	•	•							
1	38 HC LED**	1x8.5W500lm, 36°	4.3319	4.3281	4.3282	4.3283		•	•	•	•	•							
Hedion Pro Trim 60																			
1	60 GU10	1x50WGU10 QPAR16	4.3284					•	•	•									
2	60 LED	1x11W800lm	4.3286	4.3287	4.3288	4.3289		•	•	•	•	•	•	•	•				
Hedion Pro Trim 80																			
1	80 LED	1x15W1100lm	4.3290	4.3291	4.3292	4.3293		•	•	•	•	•				•	•	•	
2	80 LED	1x27W2050lm	4.3294	4.3295	4.3296	4.3297		•	•	•	•	•				•	•	•	

• CR190

* drivers **do not** passthrough the mounting hole

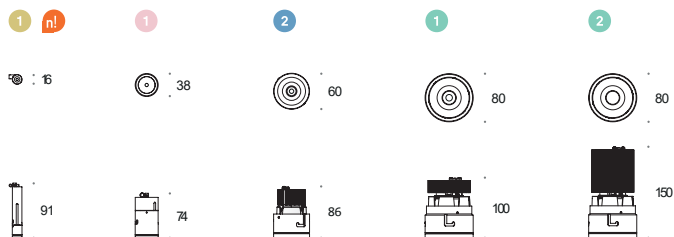
** On—Off driver **passthrough** the mounting hole

• Black Anode

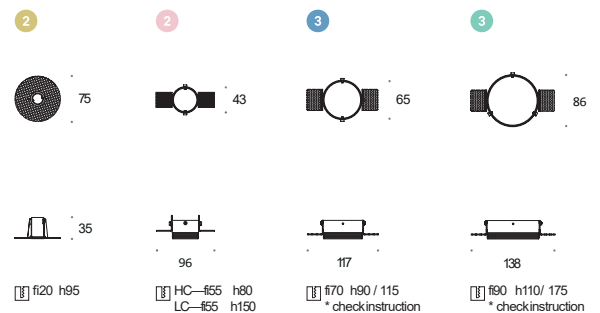
• interior Black Anode + frame color to choose

energy
pg. 17

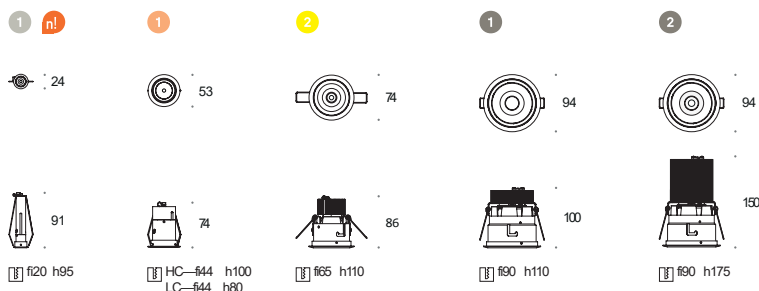
Hedion Pro



Hedion Pro—mounting rings



Hedion Pro Trim



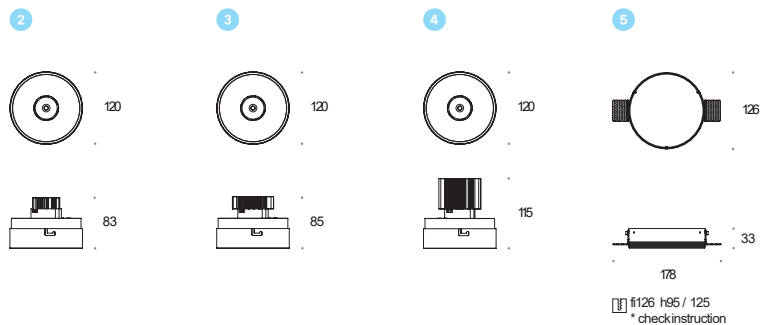


Model		On-Off	Switch Dim	DALI2	PhaseCut	Accessories	Color			CRI98 2700K	CRI98 3000K	CRI98 4000K	Beam Angle					
							Black	White	Mixed				Spot 13°	Medium 32°	Wide 48°	Spot 18°	Medium 35°	Wide 55°
Hedion 115							.02	.03	.99	.927	.930	.940	.S	.M	.W	.S	.M	.W
1	115 QR111*	1x50WQR-LP 111	4.2637				1	.	.	.								
2	115edgeLED	1x8W510lm	4.2638	4.2551	4.2640	4.2639	1	
3	115edgeLED	1x15W1200lm	4.2642	4.2552	4.2644	4.2643	1	
4	115edgeLED	1x27W2000lm	4.2646	4.2553	4.2648	4.2647	1	
5	115 Mounting ring	[required]																
Hedion Trim115																		
1	115 QR111*	1x50WQR-LP 111	4.2650					.	.	.								
2	115edgeLED	1x8W510lm	4.2651	4.2554	4.2653	4.2652		
3	115edgeLED	1x15W1200lm	4.2655	4.2555	4.2657	4.2656		
4	115edgeLED	1x27W2000lm	4.2659	4.2556	4.2661	4.2660		

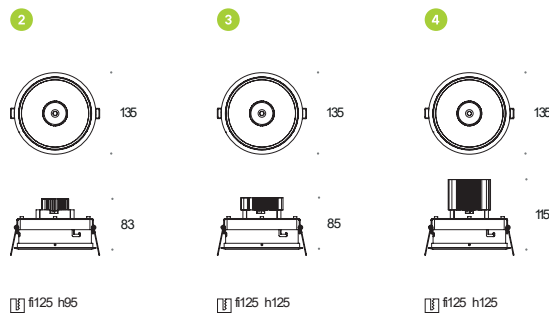
* 12V—transformer not included



Hedion 115

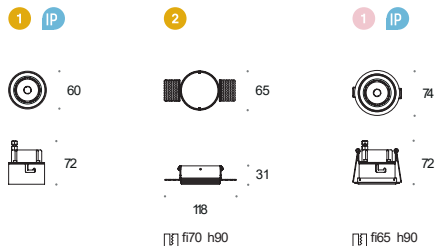


Hedion Trim 115



Model		On-Off	Switch Dim	DALI2	PhaseCut	Accessories	Color			CRI98 2700K	CRI98 3000K	CRI98 4000K	Beam Angle			
							Black	White	Mixed				Spot 18°	Medium 35°	Wide 55°	
Hedion60 IP65							.02	.03	.99	.927	.930	.940	.S	.M	.W	
1	60 LED IP65	1x10W750lm	4.2512	4.2514	4.2513	4.2515	1
2	60 Mounting ring	[required]														
Hedion Trim60 IP65																
1	60 LED IP65	1x10W750lm	4.2517	4.2519	4.2518	4.2520	

Hedion IP65 (waterproof)



subject to change