

ray evo system



The RAY EVO SYSTEM is a new, modernised lighting profile system with huge possibilities. The solution is based on dedicated aluminium profiles for surface, suspended and flush mounting. The great advantage of this solution is the multitude of lighting modules, from light lines through movable spotlights to pendant luminaires.

An important feature of the system is its modularity. In addition to the light lines, all luminaires are based on unified carrier modules, each of identical length, which makes them easily interchangeable. The module is installed by clicking it into the main profile.

The system's power supply is based on 230V mains voltage, which means that the total power of the set is up to 1000W per circuit. This gives great possibilities even in the case of very complex configurations.

Each luminaire is equipped with a dedicated electronic power supply and louvre system connectors. With the ability to use DALI2 power supplies, we have full control over each individual module. What is important, by using a DALI2 solution, you gain the ability to independently control two circuits simultaneously.



geit flat x2



connection accessories



shift on x2



stik 25 ZW x2





KAMA MŁUCHA

fol. Kizysztof Zgola

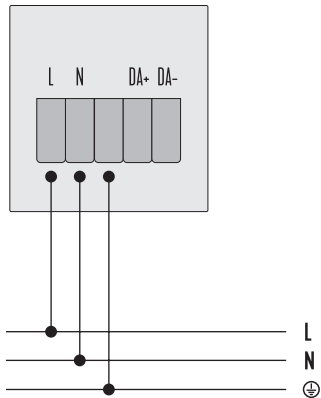
light thinking





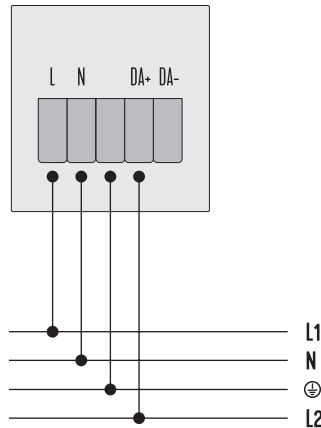
One ON-OFF circuit

Only luminaires with the Circuit 1 designation can be selected. This allows you to create a single circuit – all luminaires are turned on and off simultaneously.



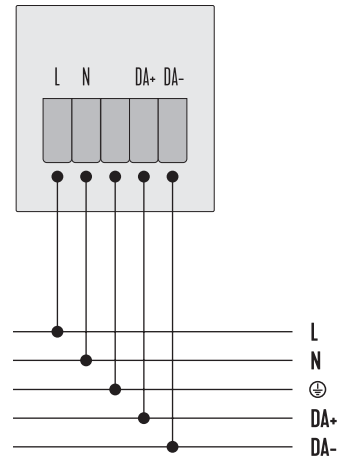
Two ON-OFF circuits simultaneously

It requires you to select two groups of luminaires at the same time, labelled circuit 1 and circuit 2. This allows you to create two separate circuits, switched on and off separately.



One circuit ON-OFF + DALI2 dimming

It requires using lamps with DALI2 marking. This allows you to create a single circuit with full digital control. Each luminaire can be switched on and controlled separately.



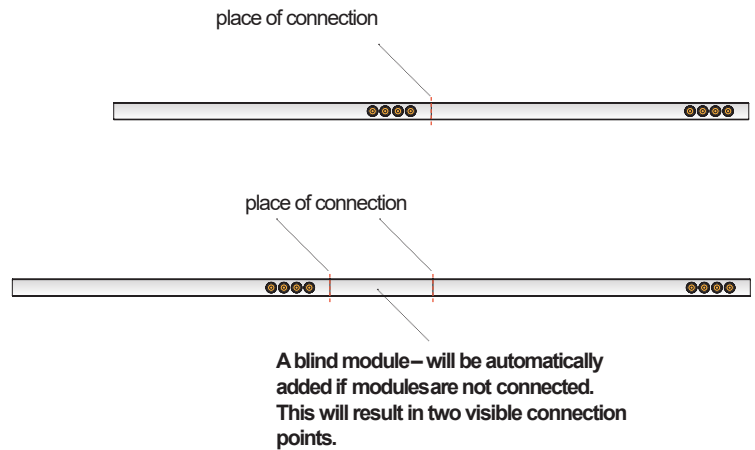
Visibility of connections between modules

The modularity of the system forces a larger than normal number of visible module connection / contact points.

We strongly recommend connecting modules directly to each other without leaving empty spaces or designing dead modules with increased length.

Any empty space between modules will be filled with appropriate caps.

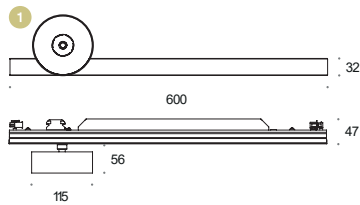
This applies ONLY to light / dead modules. Straight sections of main profiles are always produced in the maximum length without joints (max 1800mm).



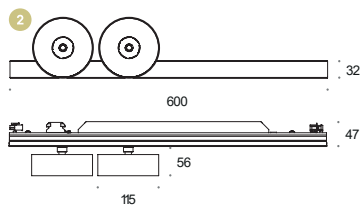
| Model | | On—Off (circuit 1) | On—Off (circuit 2) | DALI2 | Black | White | Mixed | CR198-2700K | CR198-3000K | CR198-4000K | Spot 19° | Medium 40° | Wide 52° |
|----------------------------------|----------------------|--------------------|--------------------|--------|--------|-------|-------|-------------|-------------|-------------|----------|------------|----------|
| | | | | | .02 | .03 | .99 | .927 | .930 | .940 | S | .M | .M |
| System—Geit Flat (spot) ☹ | | | | | | | | | | | | | |
| 5 | Geit Flat x1—LEFT | 1x11W,950lm | 6.2943 | 6.2944 | 6.2945 | • | • | • | • | • | • | • | • |
| | Geit Flat x1—CENTRAL | 1x11W,950lm | 6.2946 | 6.2947 | 6.2948 | • | • | • | • | • | • | • | • |
| | Geit Flat x1—RIGHT | 1x11W,950lm | 6.2949 | 6.2950 | 6.2951 | • | • | • | • | • | • | • | • |
| 6 | Geit Flat x2—LEFT | 2x11W,950lm | 6.2952 | 6.2953 | 6.2954 | • | • | • | • | • | • | • | • |
| | Geit Flat x2—CENTRAL | 2x11W,950lm | 6.2955 | 6.2956 | 6.2957 | • | • | • | • | • | • | • | • |
| | Geit Flat x2—RIGHT | 2x11W,950lm | 6.2958 | 6.2959 | 6.2960 | • | • | • | • | • | • | • | • |



Geit Flat x1 (lewy)



Geit Flat x2 (lewy)



details subject to change.

