

geit — geit evo



Spotlights from the GEIT line are characterised by bipartite construction of the luminaire. Geit consists of two disks or tubes, one of which is a fixed element, while the other, mobile, with a mounted light source offers up to 90 degrees flexibility and can be rotated around its axis. The possibility of tilting the luminaire in different directions allows you to create interesting light sceneries and spot light selected architectural elements. The line offers a wide range of parameters— from different luminaire diameters, tube lengths or LED light sources to different power supplies. The Geit collection includes surface-mounted spotlights and luminaires with adapters for rail systems, which allow for mobility and illumination of the room depending on the changing needs. Geit works particularly well in kitchens, hallways, as supplemental lighting in the living room or in retail spaces.



geit evo40 NT / geit evo 70 ad 3F



geit NT / geit mini NT / geit mini ad 3F





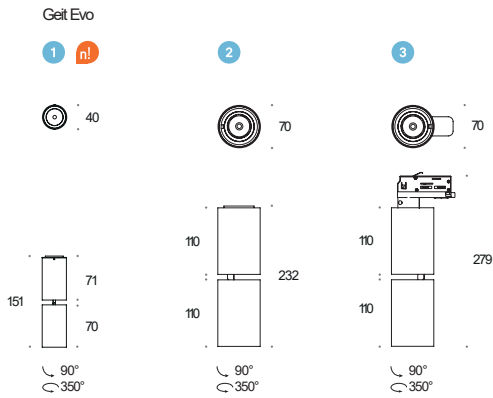




geit— geitevo

Model	On-Off	Switch Dimm	DALI2	PhaseOut	Black	White	Mixed	CR198-2700K	CR198-3000K	CR198-4000K	Spot 13°	Medium 32°	Wide 48°	Medium 35°	Wide 45°
Geit Evo					.02	.03	.99	.927	.930	.940	.S	.M	.W	.M	.W
1 Evo40 1x6W370lm	2.2029				•	•	•	•	•	•				•	•
2 Evo70 G2 1x8W510lm	2.2717	2.2718	2.2719	2.2720	•	•	•	•	•	•	•	•	•		
3 Evo70 G2AD 3F 1x8W510lm	7.2721	7.2722	7.2723	7.2724	•	•	•	•	•	•	•	•	•		

• CR190

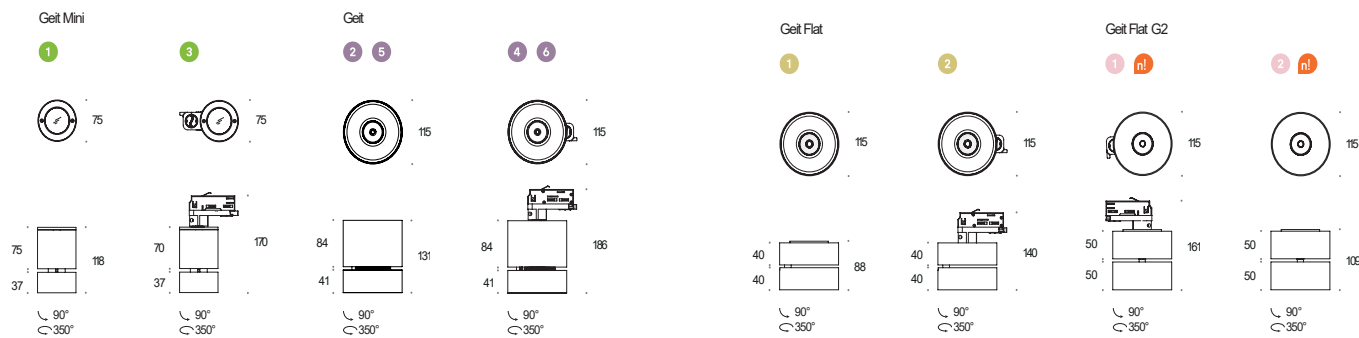


geit evo40 NT



geit flat ad 3F

Model	On-Off	Switch Dim	DALI2	PhaseOut	Black	White	Mixed	CR198-2700K	CR198-3000K	CR198-4000K	Spot 13°	Medium 32°	Wide 48°	Spot 18°	Medium 35°	Wide 55°
					.02	.03	.99	.927	.930	.940	.S	.M	.W	.S	.M	.W
Geit Mini ☺																
1	Geit Mini NT	1x50WGU10 QPAR16	2.0312													
2	Geit Mini AD 1F	1x50WGU10 QPAR16	7.1041													
3	Geit Mini AD 3F	1x50WGU10 QPAR16	7.0313													
Geit ☺																
1	Geit NT	1x0-50WG53 QR-LP111	3.0118													
2	Geit AD 3F	1x0-50WG53 QR-LP111	7.0318													
3	Geit NT edge.LED	1x8W510lm	2.0698	2.3619	2.1489	2.1488										
4	Geit AD 3F edge.LED	1x8W510lm	7.0699	7.3620	7.1491	7.1490										
5	Geit NT edge.LED	1x15W1200lm	2.0840	2.3621	2.1493	2.1492										
6	Geit AD 3F edge.LED	1x15W1200lm	7.0899	7.3622	7.1495	7.1494										
Geit Flat ☺																
1	Geit Flat NT edge.LED	1x11W900lm	2.1915													
2	Geit Flat AD 3F edge.LED	1x11W900lm	7.1918													
Geit Flat G2 ☺																
1	Geit Flat G2NT edge.LED	1x20W1700lm	2.2772	2.2774	2.2773	2.2775										
2	Geit Flat G2AD 3F edge.LED	1x20W1700lm	7.2890	7.2892	7.2891	7.2893										



details subject to change.