

# fraam

FRAAM is a straightforward surface-mounted or pendant lamp in geometric shapes. Its concept is based on rectangles and squares. A great advantage of the Fraam model is the wide range of available luminaire dimensions in terms of height and profile length. This allows you to create impressive spatial compositions that act as a distinctive decorative element of any interior. Interestingly, the Fraam Move luminaire can also be mounted on a 3F track rail, so that the lamp can be moved as needed in the axis of the rail. This version also features a movable lower lamp profile allowing you to change the direction of light incidence or illuminate the ceiling. Soft light is provided by an opal PMMA or microprismatic satin screen. It reduces the effect of glare, making it ideal for use over reception desks, conference tables, dining tables or kitchen islands.



fraam move NT / ad 3F





WZORCOWNIA Daria Rogozińska

foto: Daria Rogozińska

**fraam**







Roma Kulczyk-Architekt

fol. Krzysztof Zgola

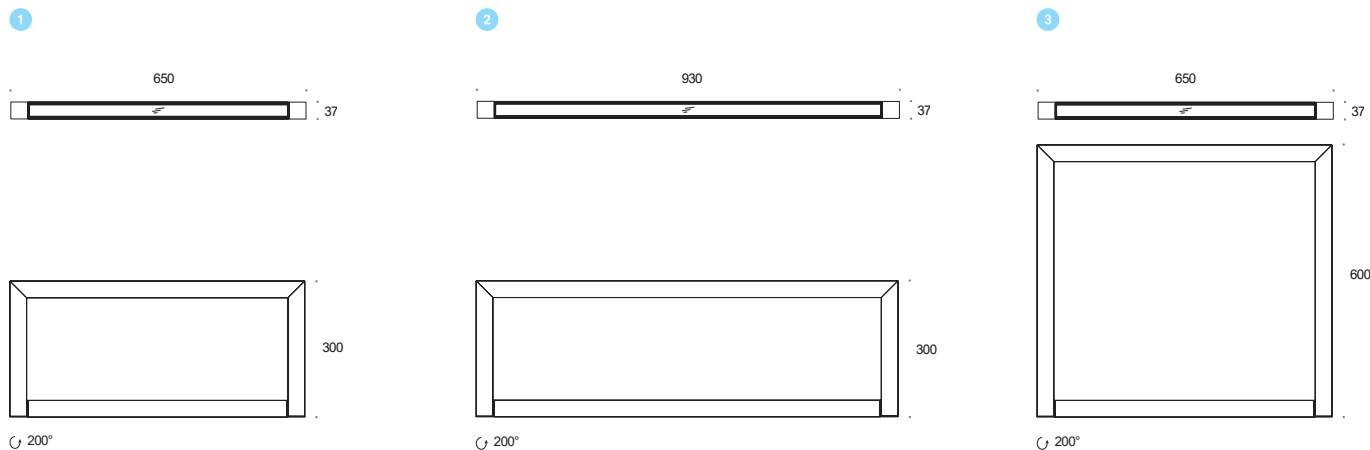
**fraam**

Model		On-Off	Switch Dim	DALI2	Black	White	Mixed	CR90 2700K	CR90 3000K	CR90 4000K	Diffused	Microprismatic
					.02	.03	.99	.927	.930	.940	.DF	.MP
<b>FraamMove G2</b>	⊕											
1 NT 3.6*	28W1600lm	3.2139	3.2873	3.2140	•	•	•	•	•	•	•	•
2 NT 3.9*	39W2500lm	3.2141	3.2874	3.2142	•	•	•	•	•	•	•	•
3 NT 6.6*	28W1600lm	3.2143	3.2875	3.2144	•	•	•	•	•	•	•	•
4 AD 3F 3.6*	28W1600lm	7.2145	7.2876	7.2146	•	•	•	•	•	•	•	•
5 AD 3F 3.9*	39W2500lm	7.2147	7.2877	7.2148	•	•	•	•	•	•	•	•
6 AD 3F 6.6*	28W1600lm	7.2149	7.2878	7.2150	•	•	•	•	•	•	•	•

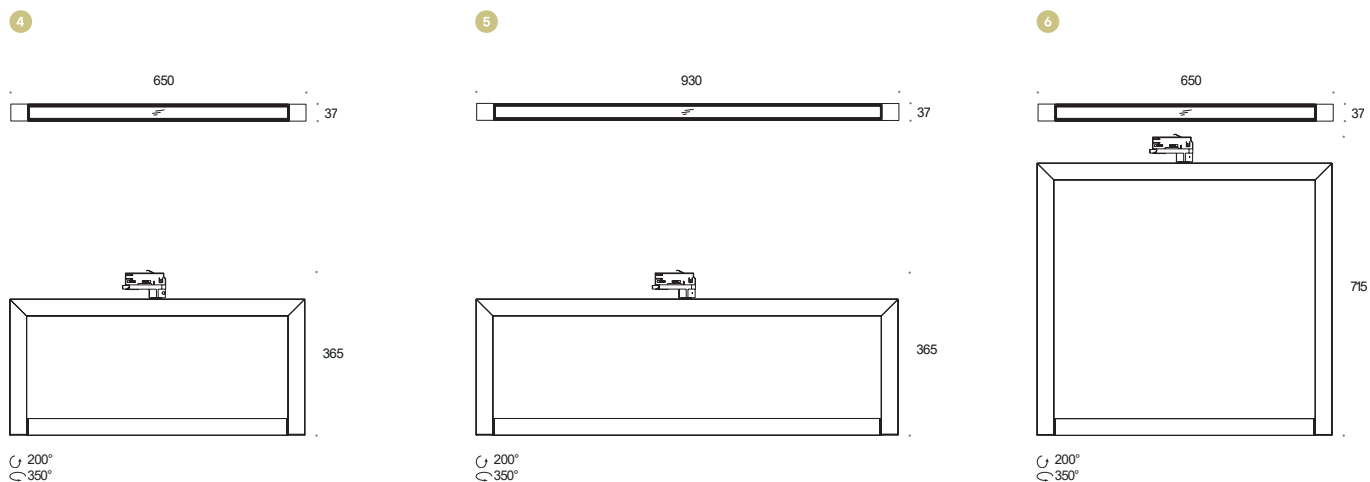
\* Data for version .MP Microprismatic, 3000°K



Fraam Move NT



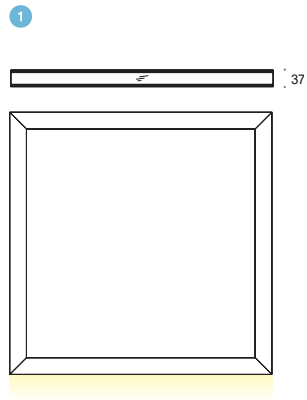
Fraam Move AD 3F



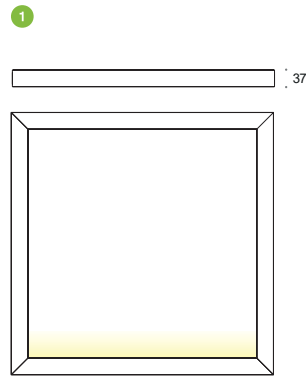


**fraam**

Fraam Down—downlight

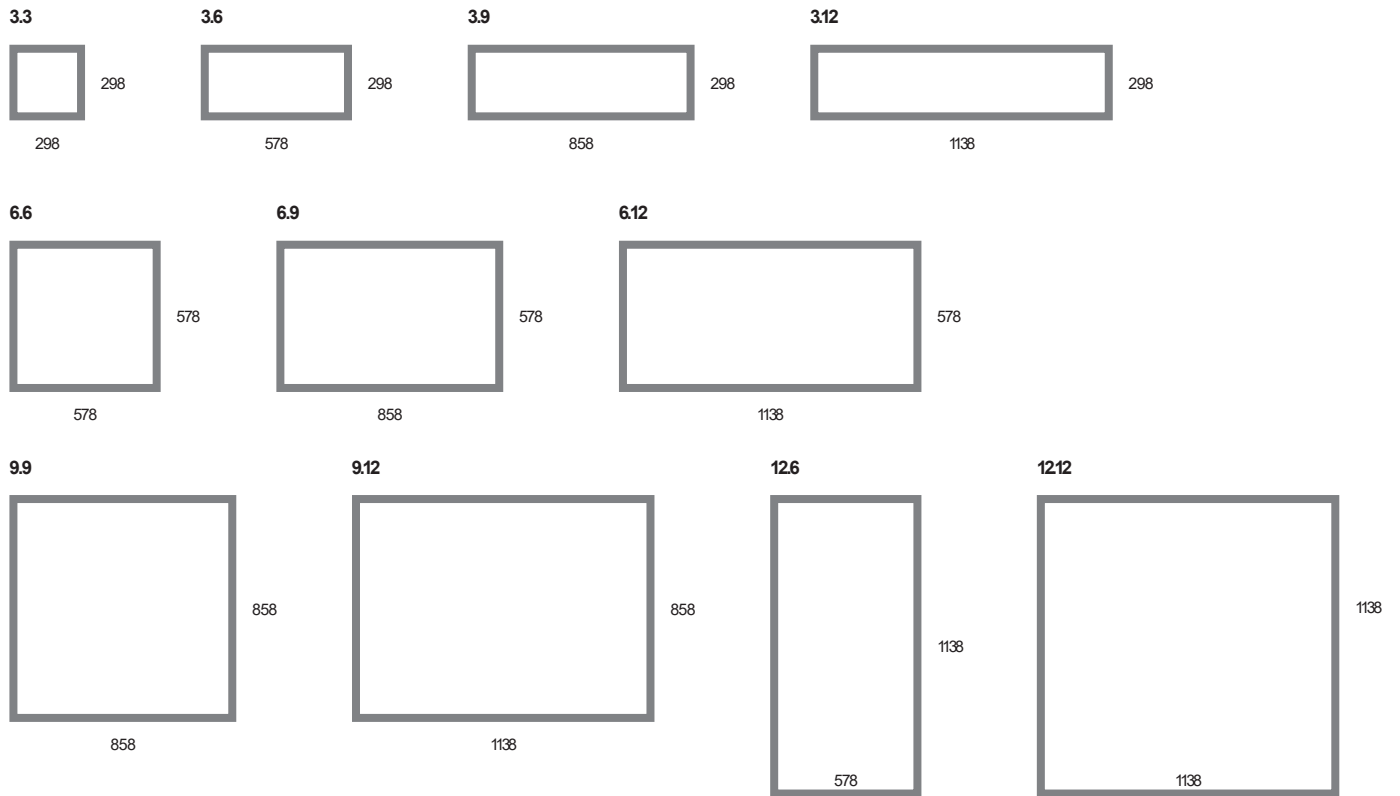


Fraam Up—uplight



Fraam—model dimensions

1 1

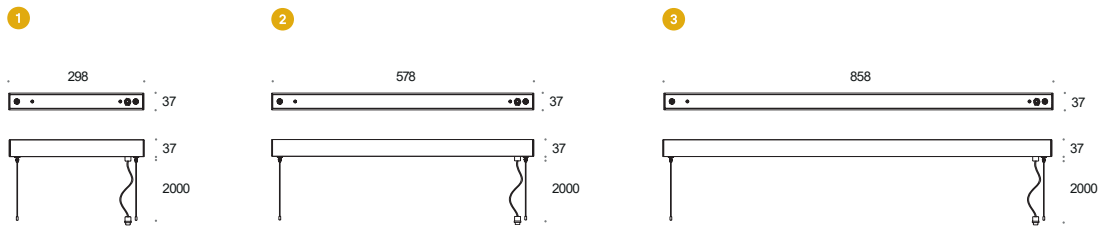


Model		On-Off	Switch Dim	DALI2		Black	White	Mixed	CR60-2700K	CR60-3000K	CR60-4000K	Diffused	Microprismatic
						.02	.03	.99	.927	.930	.940	.DF	.MP
<b>Fraam Down G2</b> ☹													
1	Down 3.3*	14W760lm	3.1340	3.2851	3.1341	Ⓛ	•	•	•	•	•	•	•
	Down 3.6*	28W1600lm	3.1342	3.2852	3.1343	Ⓛ	•	•	•	•	•	•	•
	Down 3.9*	38W2500lm	3.1344	3.2853	3.1345	Ⓛ	•	•	•	•	•	•	•
	Down 3.12*	49W3400lm	3.1346	3.2854	3.1347	Ⓛ	•	•	•	•	•	•	•
	Down 6.6*	28W1600lm	3.1348	3.2855	3.1349	Ⓛ	•	•	•	•	•	•	•
	Down 6.9*	38W2500lm	3.1350	3.2856	3.1351	Ⓛ	•	•	•	•	•	•	•
	Down 6.12*	49W3400lm	3.1352	3.2857	3.1353	Ⓛ	•	•	•	•	•	•	•
	Down 9.9*	38W2500lm	3.1354	3.2858	3.1355	Ⓛ	•	•	•	•	•	•	•
	Down 9.12*	49W3400lm	3.1356	3.2859	3.1357	Ⓛ	•	•	•	•	•	•	•
	Down 12.6*	28W1600lm	3.1358	3.2860	3.1359	Ⓛ	•	•	•	•	•	•	•
	Down 12.12*	49W3400lm	3.1360	3.2861	3.1361	Ⓛ	•	•	•	•	•	•	•
<b>FraamUp G2</b> ☺													
1	Up 3.3	7.5W200lm	3.1362	3.2862	3.1363	Ⓛ	•	•	•	•	•	•	•
	Up 3.6	20W600lm	3.1364	3.2863	3.1365	Ⓛ	•	•	•	•	•	•	•
	Up 3.9	34W1300lm	3.1366	3.2864	3.1367	Ⓛ	•	•	•	•	•	•	•
	Up 3.12	44W1700lm	3.1368	3.2865	3.1369	Ⓛ	•	•	•	•	•	•	•
	Up 6.6	20W600lm	3.1370	3.2866	3.1371	Ⓛ	•	•	•	•	•	•	•
	Up 6.9	34W1300lm	3.1372	3.2867	3.1373	Ⓛ	•	•	•	•	•	•	•
	Up 6.12	44W1700lm	3.1374	3.2868	3.1375	Ⓛ	•	•	•	•	•	•	•
	Up 9.9	34W1300lm	3.1376	3.2869	3.1377	Ⓛ	•	•	•	•	•	•	•
	Up 9.12	44W1700lm	3.1378	3.2870	3.1379	Ⓛ	•	•	•	•	•	•	•
	Up 12.6	20W600lm	3.1380	3.2871	3.1381	Ⓛ	•	•	•	•	•	•	•
	Up 12.12	44W1700lm	3.1382	3.2872	3.1383	Ⓛ	•	•	•	•	•	•	•
<b>FraamUp / Down—Suspension set G2</b>													
1	Set for all x.3				92135		•	•	•				
2	Set for all x.6				92136		•	•	•				
3	Set for all x.9				92137		•	•	•				
4	Set for all x.12				92138		•	•	•				

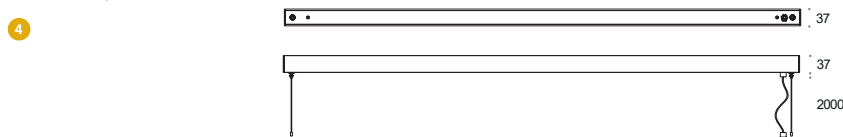
\* Datafor version .MPMicroprismatic,3000°K



FraamZW—suspension set



FraamZW—suspension set



details subject to change.