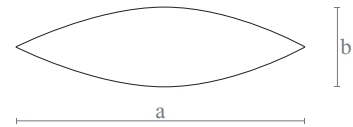
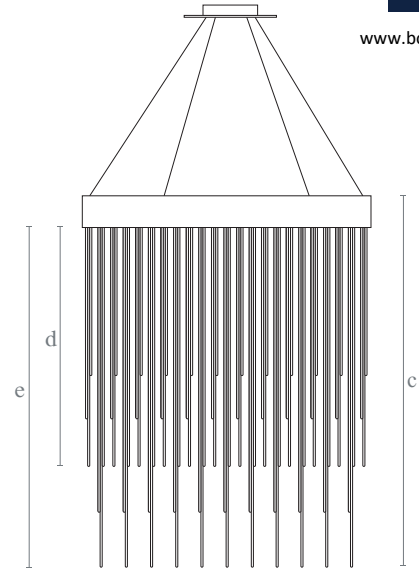




OGIVAL LAMP



Measures

length (a): 80 cm | 31 inches
width (b): 22 cm | 9 inches
height (c): 85 cm | 34 inches

Glasses (54 u.)

height short glasses (d): 30 cm | 12 inches
height large glasses (e): 50 cm | 20 inches

Lighting:

LED strip
14 w/m
1320 Lm/m
3000 °

Pendant lamp in an oval shape handmade in brass and glass with the technique of lost wax as the ancient sculptures were made, and using pure materials such as glass. Transparent, custom-made glass drops represent the purity of feelings.

The combination of glass and brass can be seen as a white romance, beautiful, bright, as a love that can be enjoyed in the light of day. The sensitivity of true feelings. This piece transports us to what it would be to live a "White Romance", a pure and healthy love through which light can pass and whose feelings emerge and are shown in the most sincere golden light.

This item is available in customised form on request.