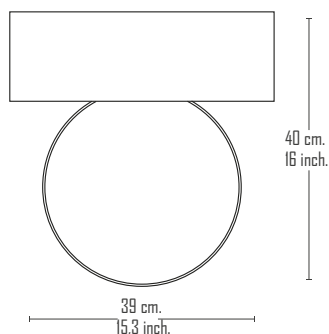




SPHERE /W
50013



Sphere /W

Aplique
Wall Lamp
Ref. 50013

Bombilla
Bulb
2 G-9 LED

Categoría de potencia
Power category
2 x 3 w / 2 x 300 lm

Temperatura de color
Color temperature
3.000 °K
4.000 °K

The Sphere wall lamp is composed of a circular brass ring and atop, a rectangular metal shade with a satin steel finish.

The combination of steel and brass, and the play of geometric shapes gives the appliqué a unique look and a touch of distinction and elegance.

This item is available in customised form on request.

Subject to changes

FW Lighting
The Lighthouse - 37 Wadham Grove - Emersons Green - Bristol - BS1 6 7DX
info@fw.lighting.com www.fw.lighting.com Tel:07891 919 169