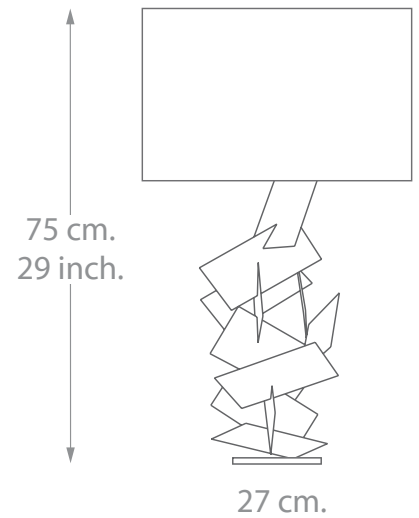




Table Lamp

REF. 80323



1 x 60 w.  
E-27

4 Kg  
0,098 m<sup>3</sup>

A contemporary table lamp made of steel and composed of rectangular plates placed randomly in a vertical form. The lamp stands on a polished square methacrylate base.

The finish is silver leaf, placed by hand with great patience by our craftsmen.

The fabric shade is available to order in a wide range of finishes and textures.

**This item is available in customised form on request.**