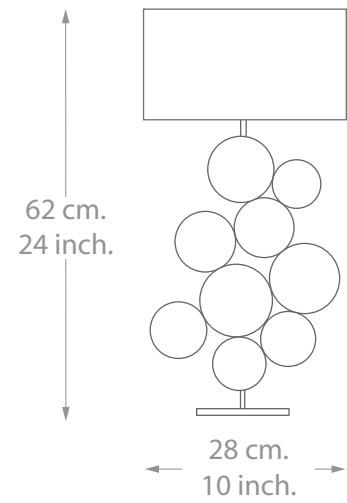




Table Lamp

REF.80300



1 x 60 w. 4 Kg
E-27 0,082 m³

A table lamp made of steel with curved discs of varying dimensions and supplied with a contrasting marble base.

Each curved disc is finished in gold leaf placed delicately by hand.

The drum shade is available in a wide selection of fabric finishes and textures. please specify preference.

This item is available in customised form on request.

Subject to changes

FW Lighting
The Lighthouse - 37 Wadham Grove - Emersons Green -Bristol - BS1 6 7DX
info@fw.lighting.com www.fw.lighting.com Tel:07891 919 169