



LT-STOK

The Stok Collection is a combination of fine chinette fabric in a modul style with a powder coated metal frame. Available as a pendant, floor, wall, ceiling and table fixture.

Material	Iron, fabric couplet pvc B1 certificate
Product code	LTSTOK
Type	Pendant Fixture
Light source	E27 LED BULB 8W
Other	CE IP20
Cleaning instructions	Clean with a soft dry cloth only. Do not use polishing agents, water or abrasive materials when cleaning. Always switch off the electricity supply before cleaning.

Color

MATERIAL : Chinette opaca paired pvc self-extinguishing



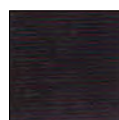
T01 white



T02 beige



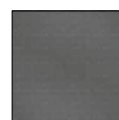
T03 brown



T04 black



T06 red



T07 gray

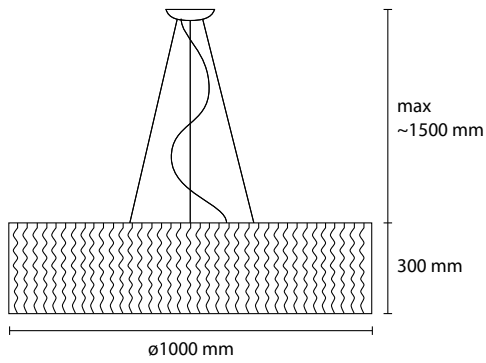


T08 orange

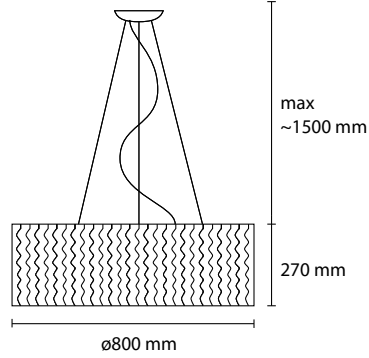


T09 mint green

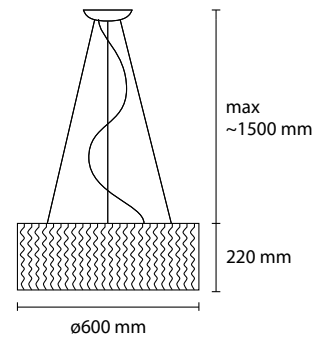
MATERIAL : Chinette opaca paired pvc self-extinguishing



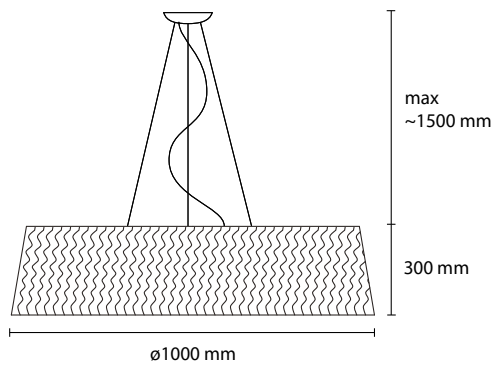
SP STOK 100
3 E27 42W ALO
1 LED 30W 2800LM 3000K



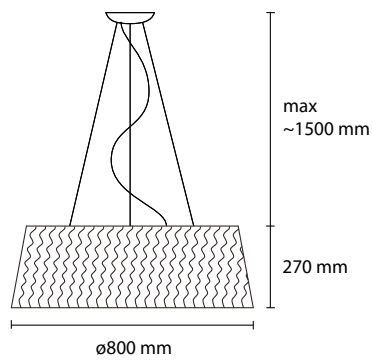
SP STOK 80
3 E27 42W ALO
1 LED 30W 2800LM 3000K



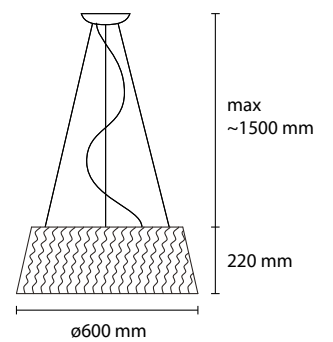
SP STOK 60
3 E27 42W ALO
1 LED 30W 2800LM 3000K



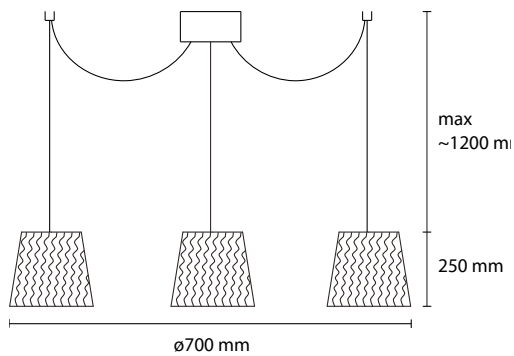
SP STOK 100 / 2
3 E27 42W ALO
1 LED 30W 2800LM 3000K



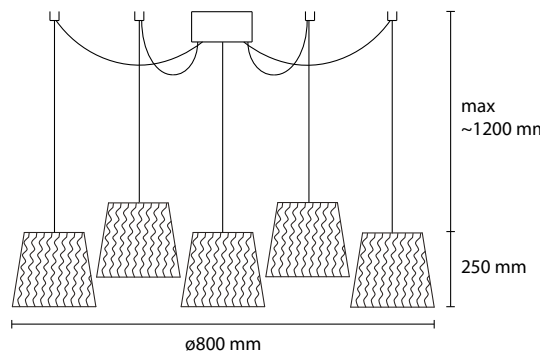
SP STOK 80 / 2
3 E27 42W ALO
1 LED 30W 2800LM 3000K



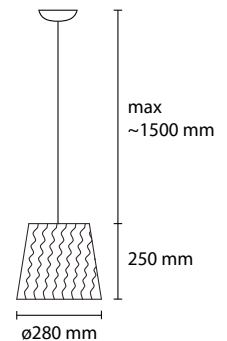
SP STOK 60 / 2
3 E27 42W ALO
1 LED 30W 2800LM 3000K



SP STOK 3 / 28
3 E27 35W ALO



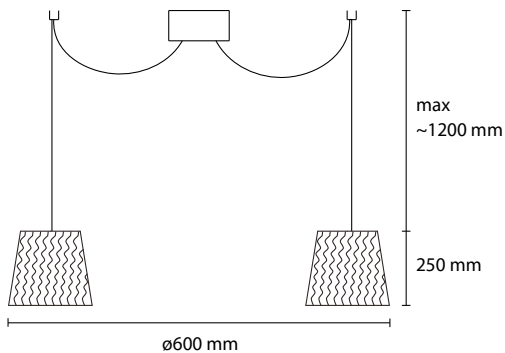
SP STOK 5 / 28
5 E27 35W ALO



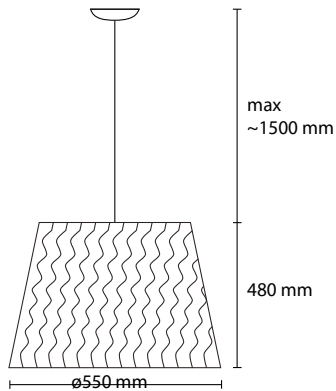
SP STOK 28
1 E27 35W ALO

EXTRA LARGE CUSTOM SIZES AVAILABLE ON REQUEST

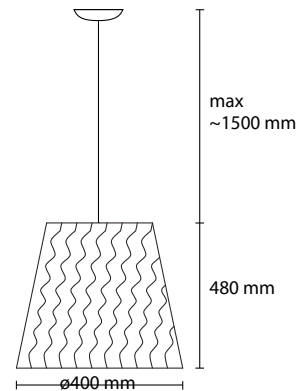
specifications subject to change.



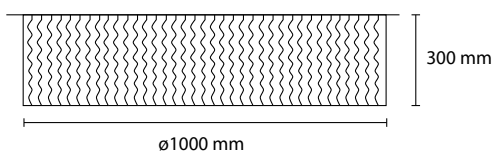
SP STOK 2 / 28
2 E27 35W ALO



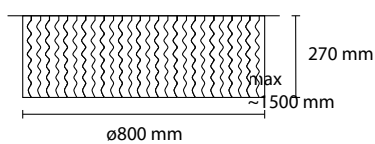
SP STOK 55
3 E27 42W ALO



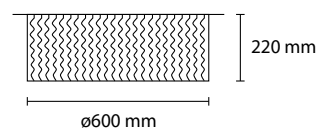
SP STOK 40
1 E27 42W ALO



PL STOK 100
3 E27 42W ALO
1 LED 30W 2800LM 3000K

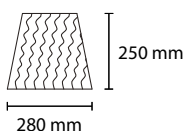


PL STOK 80
3 E27 42W ALO
1 LED 30W 2800LM 3000K

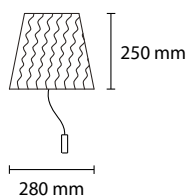


PL STOK 60
3 E27 42W ALO
1 LED 30W 2800LM 3000K

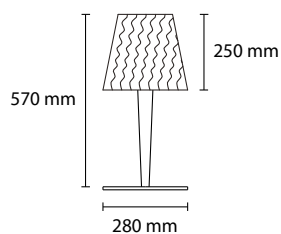
480 mm



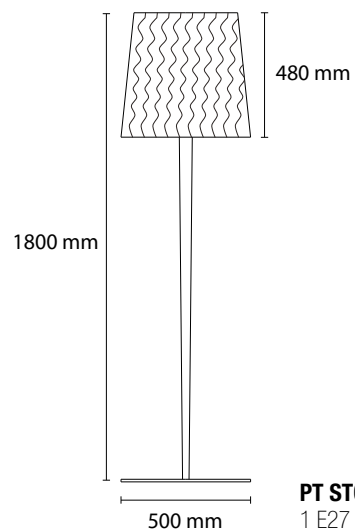
AP STOK 1
1 E27 35W ALO



AP STOK 2
1 E27 35W - 1 LED 1W



LT STOK
1 E27 35W ALO



PT STOK 180
1 E27 54W ALO

EXTRA LARGE CUSTOM SIZES AVAILABLE ON REQUEST

specifications subject to change.



FW Lighting 37 Wadham Grove Emmersons green, Bristol, BS16 7DX T 07891 919169 Info@fw-lighting.com www.fw-lighting.com

Lika svjetlo d.o.o. | smiljansko polje 71/4 53000 Gospić HR | T. +385 53639204 | F. +385 53639243 | info@lika-svjetlo.hr | www.lika-svjetlo.hr