



## PLK LUCY110

The Lucy collection is a combination of a fine trevira fabric that is strung out on a powder coated metal frame. Available as a pendant and ceiling fixture.

### Packaging (cm) and weight

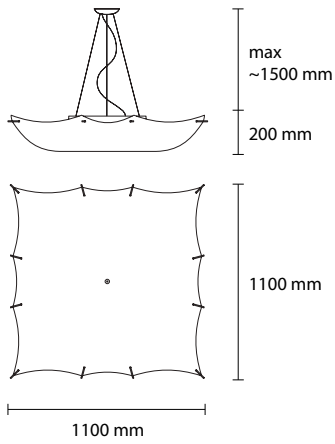
<b>Material</b>	Iron, Trevira stitched fabric
<b>Product code</b>	PLK LUCY110/E27 PLK LUCY110/LED
<b>Type</b>	Pendant Fixture
<b>Light source</b>	3 x E27 8W LED BULB 1 LED 30W 2800lm 3000K ON/OFF
<b>ther</b>	CE IP20
<b>Cleaning instructions</b>	Clean with a soft dry cloth only. Do not use polishing agents, water or abrasive materials when cleaning. Always switch off the electricity supply before cleaning.
<b>Color</b>	<p>TREVIRA CS (TREVIRA FLAME RETARDANT)</p> <p>C01 white   C02 red   C03 lilac   C04 mint green   C05 gray   C06 orange   C07 blue</p>

# Lucy

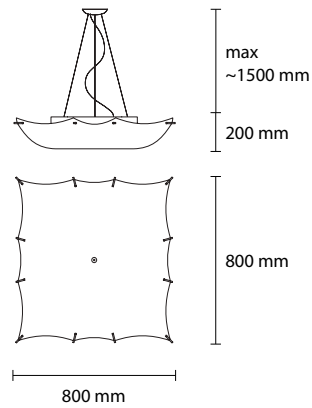
COLOR: C01 white

MATERIAL: Trevira CS (flame retardant)

---

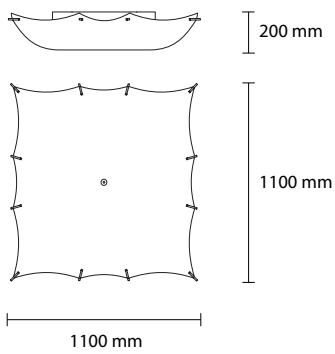


**SPK LUCY 110**  
3 E27 42W ALO  
1 LED 30W 2800 LM 3000K

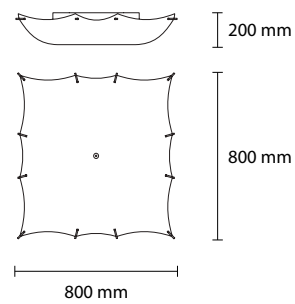


**SPK LUCY 80**  
3 E27 42W ALO  
1 LED 30W 2800LM 3000K

---



**PLK LUCY 110**  
3 E27 42W ALO  
1 LED 30W 2800LM 3000K



**PLK LUCY 80**  
3 E27 42W ALO  
1 LED 30W 2800LM 3000K

**EXTRA LARGE CUSTOM SIZES AVAILABLE ON REQUEST**