

Baulmann Leuchten



64.272.69-872

Blown dimple glass wall luminaire

black finish with smoked glass

for 1 x E27

dimensions 165 x 460 x 200 mm

glass:

smoke 872

also available: brass dull (.03)
 glass: clear (871), amber (873)

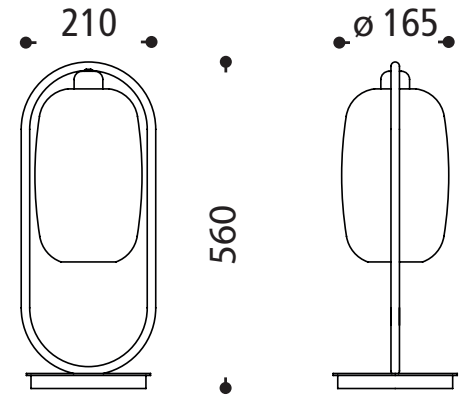
This item can be fully customised in its dimension, construction, finish and colour to meet your design requirements

Subject to changes

FW Lighting
The Lighthouse - 37 Wadham Grove - Emersons Green -Bristol - BS16 7DX
info@fw.lighting.com www.fw.lighting.com Tel:07891 919 169



Baulmann Leuchten



14.162...*-...**

E27



14.162.69-873

Blown dimple glass table lamp

shown: amber blown glass shade

*metal tubular frame brushed brass / painted black base

**metal tubular frame painted black/ painted black base - amber blown glass shade

E27 lamp holder

*Farbe / finish / couleur

03

69

14.162...*-...**

**Glas / glass / verre

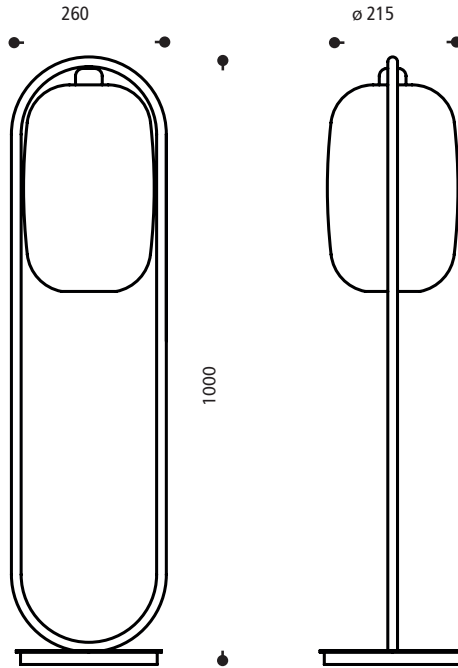
871 Klar / clear / clair

872 Rauch / smoke / fumé

873 Amber / amber / ambré

This item can be fully customised in its dimension, construction, finish and colour to meet your design requirements

Subject to changes



*Farbe / finish / couleur

-
 03
 69

24.162...*-...**

**Glas / glass / verre

-
 874 Klar / clear / clair

-
 875 Rauch / smoke / fumé

-
 876 Amber / amber / ambré

24.162.03-876

Glass floor light

shown: clear blown glass shade

*metal tubular frame brushed brass / painted black base

**metal tubular frame painted black/ painted black base - amber blown glass shade

E27 lamp holder

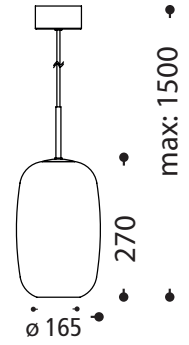


**24.162.69-876

This item can be fully customised in its dimension, construction, finish and colour to meet your design requirements

Subject to changes

additional family lines



This item can be fully customised in its dimension, construction, finish and colour to meet your design requirements

Subject to changes